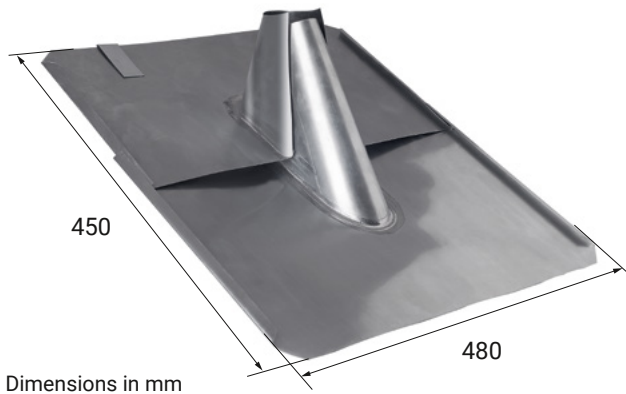




FLECK tiled roof universal antenna flashing

Tiled roof universal antenna flashing,
2-piece with lead flange collar



PRODUCT INFORMATION

FLECK tiled roof universal antenna flashing, 2-piece with large flange. Particularly when renovating older buildings, the tiled roof universal antenna flashing, 2-piece, can be used to provide a traditional antenna surround with rolled lead and without dismantling the antenna.

Material with lead flange collar

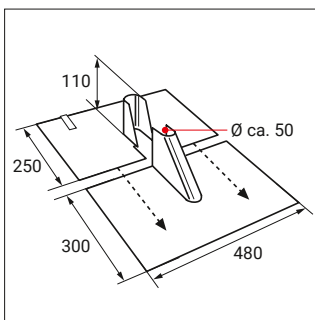
- 450 × 480 mm rolled lead
- Base plate 1.25 mm thick
- Mast design: Titan-Zinc

Note

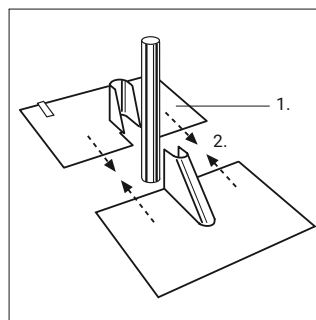
- The antenna rod to be passed through must be installed in the product free of tension
- Article contains more than 0.1 % lead. Duty to provide information pursuant to Art. 33 REACH Regulation

TECHNICAL NOTES

Other dimensions



Set roof pitch



1. Carry out sealing on site
2. The two parts are pushed around the antenna mast. The antenna mast therefore need not be dismantled.
3. Properly seal the contact area between the antenna mast and the feedthrough