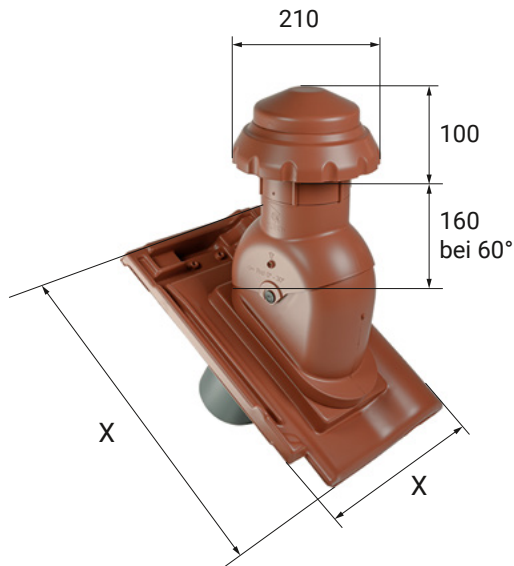




FLECK Aura vent DN 125



X-dimensions as per tile type
Dimensions in mm



Available with and without back-flow flap



FLECK Flair head
For mechanical systems

PRODUCT INFORMATION

The FLECK Aura vent DN 125 can be individually adjusted and always installed plumb. Complete with removable weather cap and reduction adapter to DN 100. Can be used for roof pitches up to 60 °.

Vent cross-sections

- DN 100: ~ 87 cm²
- DN 125: ~ 113 cm²

Also available as alternative:

- Slate/shingle
- Corrugated profile 5 ~ 480 × 900 mm (small format)

Material

All components are made of highly weather-resistant, durable special rigid PVC.

Construction material (fire reaction) class

B2 as per DIN 4102

Accessories

- Reducing adapter to DN 100
- Removable weather cap according to DIN 1986-100

Optional accessories

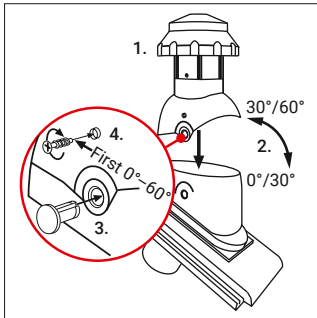
- Flexible universal hose DN 100 or DN 125 complete with hose clip and reducer
- Available with integrated backflow flap for fan-driven ventilations systems
- Flair head (lacquered in tile colour)
- Below roof condensate separator (DN 125)





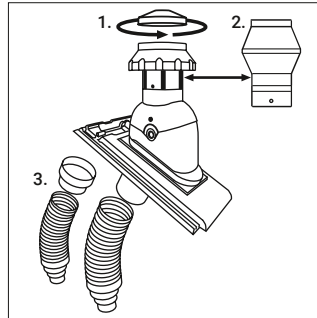
TECHNICAL NOTES

Set roof pitch



1. Extend top part of vent
2. Align vertically according to the roof pitch – swivelling from 0° to 30° and 30° to 60°
3. Insert pins
4. Lock with screws

Installation note



1. Removable weather cap
2. Standard head interchangeable with flair head
3. Attach the DN 125/DN 100 reduction adapter and/or an optional flexible universal hose for DN 100 or DN 125 connections