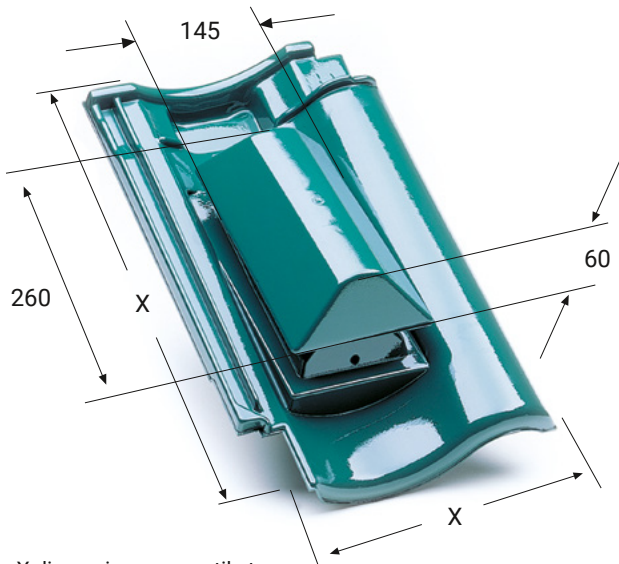




FLECK Sani Extra DN 100



X-dimensions as per tile type
Dimensions in mm



Available with and without
backflow clap

PRODUCT INFORMATION

The FLECK Sani Extra DN 100 is the inconspicuous one among the tile vents. It is suitable for roof pitches of more than 15 °, fits perfectly for any roof shape or pitch and has an additional condensate drain (hole).

Vent cross-section:

- DN 100: ~ 87 cm²

Also available as alternative:

- Slate/shingle
- Corrugated profile 5 ~ 480 × 900 mm (small format)

Material

- All components are made of highly weather-resistant, durable special rigid PVC

Construction material (fire reaction) class

B2 as per DIN 4102

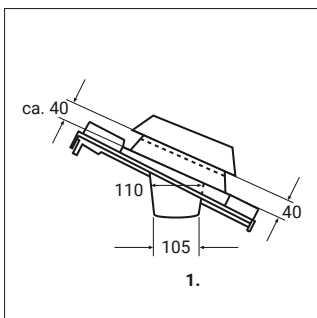
Optional accessories

- Flexible universal hose DN 100 complete with hose clip and reducer available
- Available with integrated backflow clap for fan-driven ventilation systems

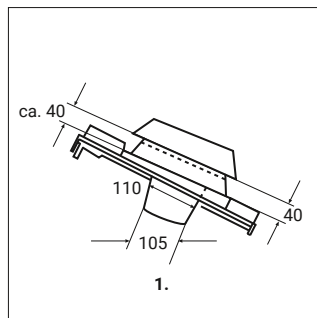
Note

Cap cannot be twisted off (DIN 1986-100)

TECHNICAL NOTES



1. Hose connection socket
DN 100 as standard version



1. Hose connection sockets
optionally also available in 90°

Pipe cross-section

DN 100 ~ 87 cm²

Vent cap cross-section

> 130 cm²