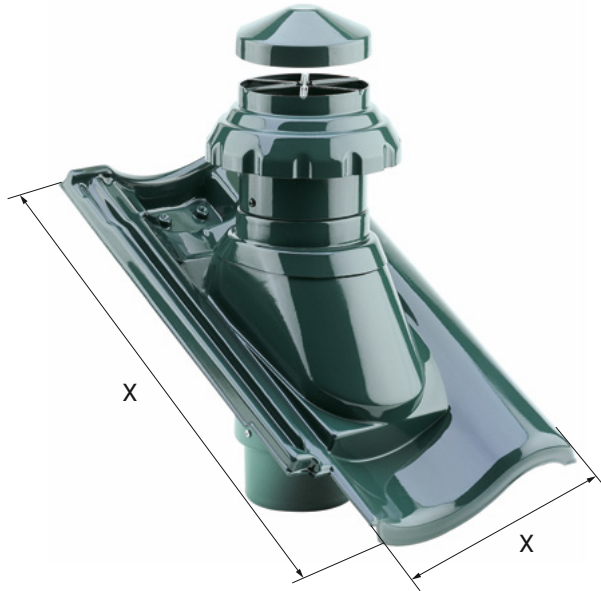




FLECK Eurolüfter DN 125



X-dimensions as per tile type



Available with and without backflow clap

PRODUCT INFORMATION

The compact FLECK Eurolüfter DN 125 is supplied including removable weather cap and reduction adapter to DN 100. It is manufactured for a roof pitch of 30°, but can also be used with deviations from this.

Vent cross-sections

- DN 100: ~ 75.5 cm²
- DN 125: ~ 113 cm²

Also available as alternative:

- Slate/shingle
- Corrugated profile 5 ~ 480 × 900 mm (small format)

Material

All components are made of highly weather-resistant, durable special rigid PVC.

Construction material (fire reaction) class

B2 as per DIN 4102

Accessories

- Reducing adapter to DN 100
- Removable weather cap according to DIN 1986-100

Note

Permanently set to a roof pitch of 30° in the factory.

Optional accessories

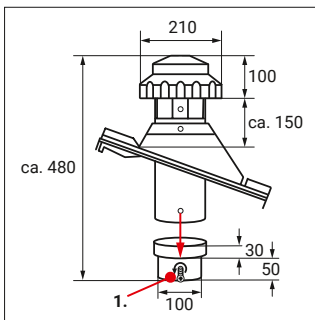
- Flexible universal hose DN 100 or DN 125 including hose clip and reducer
- Available with integrated backflow clap for fan-driven ventilations systems
- Below roof KWA





TECHNICAL NOTES

Installation note



1. Can be extended to DN 125 by unscrewing the screws and removing the reducing adapter

