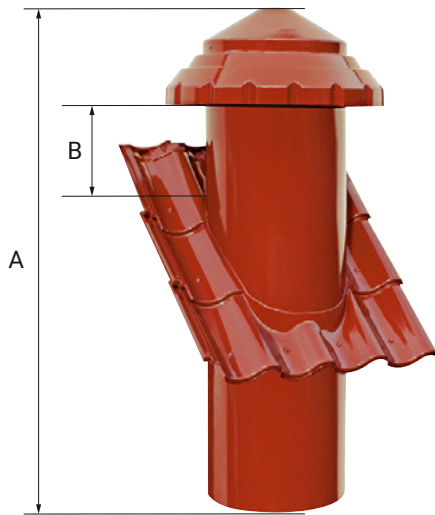


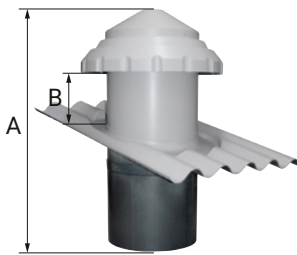


FLECK Roof terminal DN 150–DN 500

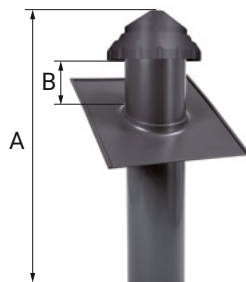
With tile



With corrugated



With slate/shingle



Take dimensions from the roof terminal matrix (p. 4)

PRODUCT INFORMATION

FLECK roof terminals are used to purge large quantities of exhaust air from ventilation systems or lift shafts as well as vapour (saturated air) or fumes, for example from commercial kitchens and bakeries.

Also available as alternative:

- Slate/shingle (see left)
- Corrugated profile 5 ~ 480 × 900 mm (small format)

Material

All components are made of highly weather-resistant, durable special rigid PVC.

Construction material (fire reaction) class

B2 as per DIN 4102

Note

- The specifications, such as roof pitch, batten spacing, batten width, roof tile type, colour and special requests can be summarised in the roof terminal configurator (QR code) before ordering
- For outside and inside diameters and wall thicknesses, please refer to the pipe table (see QR code)

Optional accessories

- Backflow clap possible with DN 150
- Underlay sealing collar possible with DN 150
- Flair head possible up to DN 200
- Below roof condensate separator (KWA) possible up to DN 200 even with thermal insulation
- Thermal insulation possible up to DN 400
- Flexible hoses, matching hose clips, connecting sleeves and pipe extensions up to DN 500 possible
- DN 150 and DN 200 with integrated condensate separator (KWA) only in uninsulated version



Custom-made products are not returnable (cannot be exchanged)!



Pipe table data sheet

fleck-dach.de/en/services/downloads/



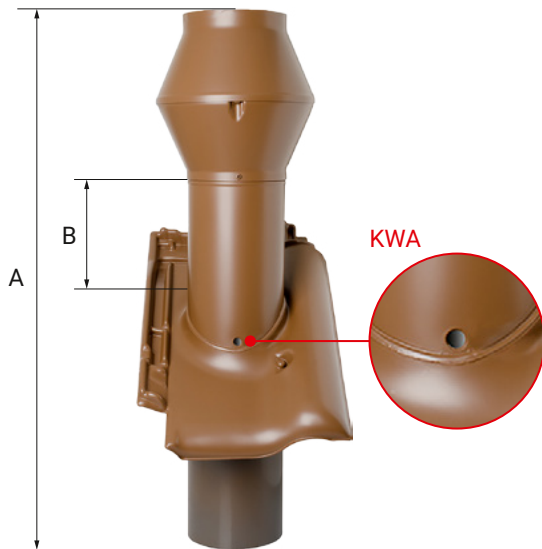
Roof terminal configurator

fleck-dach.de/en/services/roof-accessories-recalculated/roof-accessories-recalculated-roof-terminal-for-the-pitched-roof/



FLECK roof terminal with Flair head DN 125, DN 150, DN 200

With tile



PRODUCT INFORMATION

Roof terminals with flair head (deflector cowl) are open at the top, ensure wide blowing out of heavily polluted or saturated exhaust air vertically from the vent pipe, catch penetrating precipitation and discharge it together with possible spray water and condensate onto the roof.

Material

All components are made of highly weather-resistant, durable special rigid PVC.

Construction material (fire reaction) class

B2 as per DIN 4102

Take dimensions from the roof terminal matrix



FLECK Thermal insulation for roof terminal with standard head DN 150–DN 400

PRODUCT INFORMATION



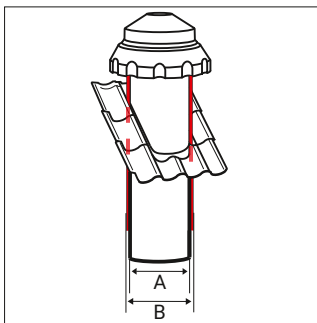
Thermally insulated roof terminals reduce condensation in a vent pipe. The insulated construction keeps the inner pipe at a higher temperature during exhaust air operation, which in turn raises the dew point and inhibits condensation formation.

Other accessories

- Flexible hose from DN 150 to DN 400
- Hose clip from DN 150 to DN 400
- Flair head for DN 150 and DN 200

TECHNICAL NOTES

Dimensions



Nominal diameter	Dimensions		Insulation thickness
	Ø A	Ø B	
DN 150	160	200	17.5
DN 200	200	250	22.5
DN 250	215	315	30
DN 300	315	400	39
DN 400	400	500	45

A = external diameter of connection pipe | B = external diameter of insulation pipe
Dimensions in mm



Roof terminal matrix

Nominal diameter	(A) Total pipe length*		(B) Upper pipe length** (ridge side)					Flair head optional	KWA (integrated) optional	Below roof KWA optional	Backflow clap optional
	up to 45° (*)	from 46° (*)	0-24°	25-35°	36-45°	46-50°	> 51°				
WITHOUT THERMAL INSULATION											
DN 150	700	1,000	200	220	250	280	300	•	•	•	•
DN 200	800	1,000	200	220	250	280	300	•	•	•	—
DN 250	1,000	1,000	200	220	250	280	300	—	—	—	—
DN 300	1,000	1,000	200	220	250	280	300	—	—	—	—
DN 400	1,000	1,000	200	220	250	280	300	—	—	—	—
DN 500	1,000	1,000	200	220	250	280	300	—	—	—	—
WITH THERMAL INSULATION											
DN 150 (outside DN 200)	800	1,000	200	220	250	280	300	•	—	•	•
DN 200 (outside DN 250)	1,000	1,000	200	220	250	280	300	•	—	•	—
DN 250 (outside DN 300)	1,000	1,000	200	220	250	280	300	—	—	—	—
DN 300 (outside DN 400)	1,000	1,000	200	220	250	280	300	—	—	—	—
DN 400 (outside DN 500)	1,000	1,000	200	220	250	280	300	—	—	—	—

* The total pipe lengths are approximate dimensions and may vary depending on the tile type and vapour tube diameter.

** The ridge side upper pipe lengths can be made with longer lengths on request.

