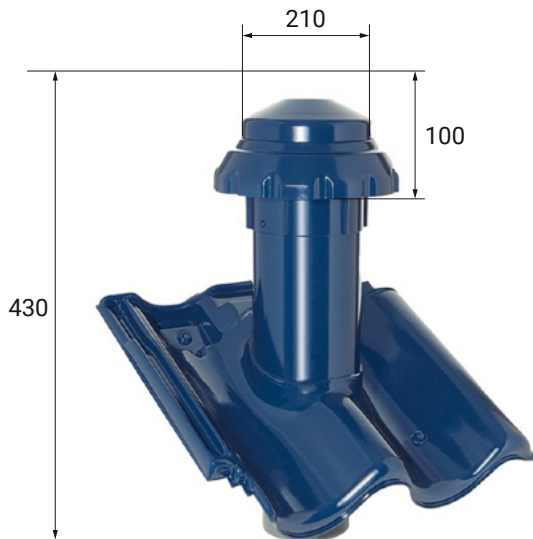




FLECK Ventilator Duo DN 125



Dimensions in mm



Available with and without backflow clap



FLECK Flair head
For mechanical systems

PRODUCT INFORMATION

The FLECK ventilator Duo DN 125 is supplied including removable weather cap and reducing adapter to DN 100. It is adjusted to the ordered, suitable roof pitch during production.

Vent cross-sections

- DN 100: ~ 75.5 cm²
- DN 125: ~ 113 cm²

Material

All components are made of highly weather-resistant, durable special rigid PVC.

Construction material (fire reaction) class

B2 as per DIN 4102

Note

The roof pitch and the planned batten spacing must be specified together with the order to ensure suitable plumb installation.

- Roof pitches up to approx. 45° possible

Optional accessories

- Flexible universal hose DN 100 or DN 125 including hose clip and reducer
- Available with integrated backflow clap for fan-driven ventilations systems
- Flair head DN 125 (lacquered in tile colour)
- Below roof condensate separator (KWA DN 125)



Custom-made products are not returnable (cannot be exchanged)!