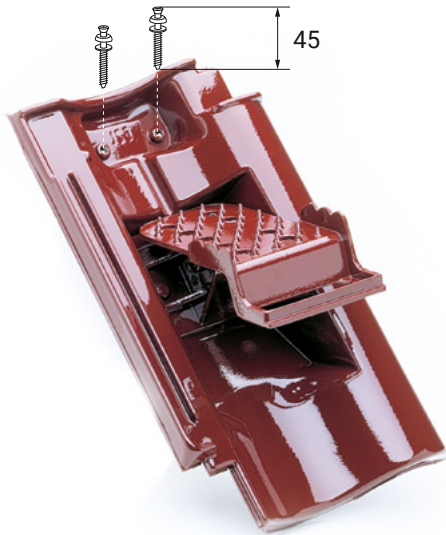




FLECK Safety step tile



Dimensions in mm

PRODUCT INFORMATION

The TÜV-tested FLECK safety step tile can be used for roof pitches from approx. 15° to 60°. The product is delivered completely painted in the colour of your choice (incl. the load-bearing fully integrated metal components made of galvanised iron sheet, cast aluminium, steel). The safety step tiles must be installed with a load-bearing support batten.

Also available as alternative:

- Slate/shingle
- Corrugated profile 5 ~ 480 × 900 mm (small format)

Material

- Tile material: The main components of the roof tile are made of highly weather-resistant, durable special rigid PVC
- Load-bearing steel parts: Angled iron plate made of galvanised sheet steel
- Step: Cast aluminium

Construction material class

- B2 as per DIN 4102-4 (PVC-U tile)
- A1 as per DIN 4102-4 (all load-bearing metal components)

Conformity

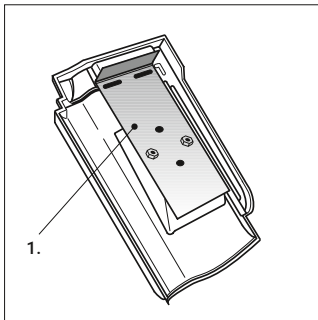
CE as per DIN EN 516-1



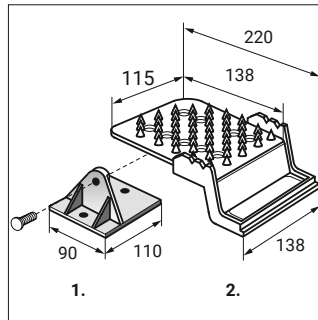


TECHNICAL NOTES

Load-bearing components

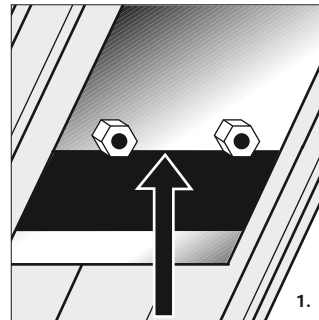


- 1. Angled steel plate
- 2. View from below

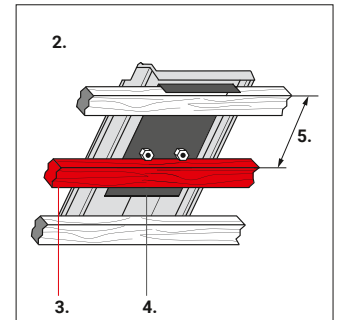


- 1. Joint support: Aluminium
- 2. Step: Aluminium

Installation note

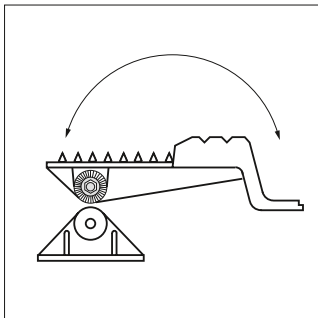


- 1. Position of the additional or support batten



- 2. Bottom view and positioning of the roof battens
- 3. Additional batten
- 4. Support plate
- 5. Distance between load-bearing battens – support batten:
Batten dimension as per laying instructions (QR code)

Set roof pitch



Swivelling from approx. 15° to approx. 60° roof pitch



Find out more at
fleck-dach.de/verlegehinweis