



FLECK Walkway grating tile



Dimensions in mm

PRODUCT INFORMATION

The TÜV-tested FLECK walkway grating tile for roof access to pitched roofs convinces with its stable design. Roof pitches adjustable on site from approx. 15° to 60°. Matching walkway gratings are available in various lengths and in the colour of your choice. The walkway grating tiles must be installed with a load-bearing support batten.

Also available as alternative:

- Slate/shingle
- Corrugated profile 5 ~ 480 × 900 mm (small format)

Material

- Tile material: The main components of the roof tile are made of highly weather-resistant, durable special rigid PVC
- Load-bearing iron parts: Metal plate and support bracket made of galvanised sheet steel

Construction material (fire reaction) class

- B2 as per DIN 4102-4 (PVC-U tile)
- A1 as per DIN 4102-4 (all load-bearing metal components)

Conformity

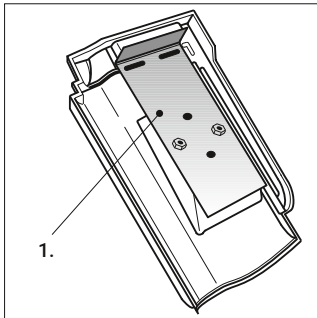
CE as per DIN EN 516-1





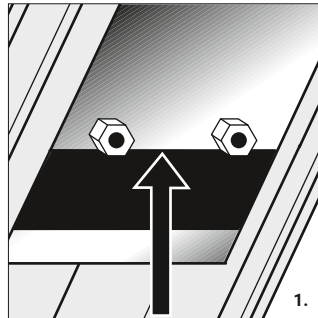
TECHNICAL NOTES

Load-bearing components

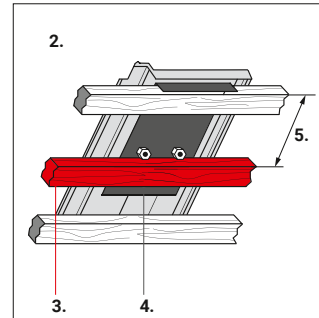


1. Angled steel plate view from below

Installation note



1. Position of the additional batten



2. Bottom view and positioning of the battens
3. Additional batten
4. Support plate
5. Distance between load-bearing batten – support batten:
Batten dimension as per laying instructions (QR code)



Find out more at
fleck-dach.de/verlegehinweis