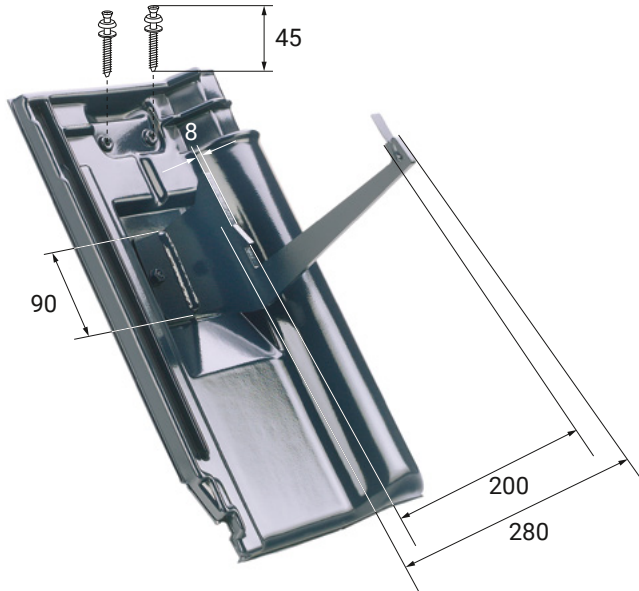




FLECK Snow guard tile



Dimensions in mm

PRODUCT INFORMATION

The snow guard tile in very stable, TÜV-tested design is supplied complete with snow guard grid support. The roof tiles are painted in the colour of your choice. These tiles are installed with a load-bearing support batten.

Also available as alternative:

- Slate/shingle
- Corrugated profile 5 ~ 480 × 900 mm (small format)

Material

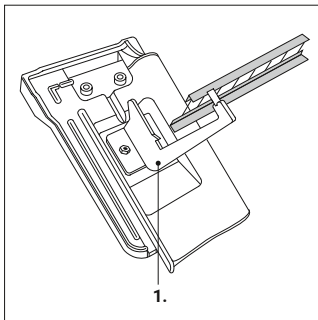
- Tile material: made of highly weather-resistant, durable special rigid PVC
- Load-bearing metal parts: made of galvanised iron sheet
- Grid support: Steel for snow guard grids in the dimensions 200x 20 mm

Construction material (fire reaction) class

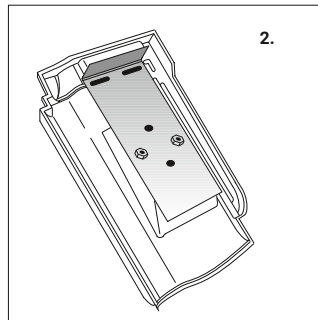
- B2 as per DIN 4102-4 (PVC-U tile)
- A1 as per DIN 4102-4 (all load-bearing metal components)

TECHNICAL NOTES

Load-bearing components

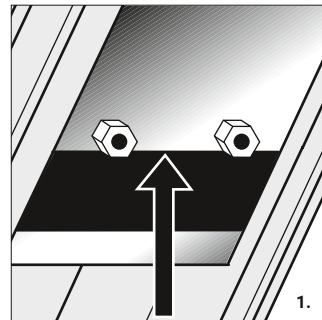


1. Grid support: Steel

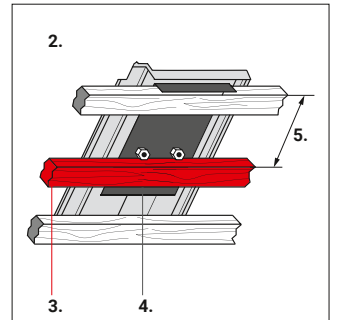


2. Load-bearing metal parts:
made of galvanised iron sheet

Installation note



1. **Attention!** Attach additional
batten here



2. **Please note and check!**
For oversized and small-format tiles, the dimension changes (5).

3. Additional batten

4. Distance between load-bearing batten – support batten:
Batten dimension as per laying instructions (QR code)



Find out more at
fleck-dach.de/verlegehinweis