



FLECK Snow guard tile



Dimensions in mm

PRODUCT INFORMATION

Sturdy design and completely pre-assembled with log holder. FLECK offers a large variety in the choice of roof tiles and colours. It is perfectly integrated into the roof – without the need to rework the neighbouring roof tiles. Complete with log holder.

Also available as alternative:

- Slate/shingle
- Corrugated profile 5 ~ 480 × 900 mm (small format)

Material

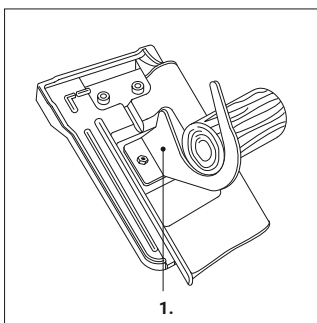
- Tile material: The main components are made of highly weather-resistant, durable special rigid PVC
- Iron parts: Metal plate of galvanised iron sheet
- Log holder: Steel

Construction material (fire reaction) class

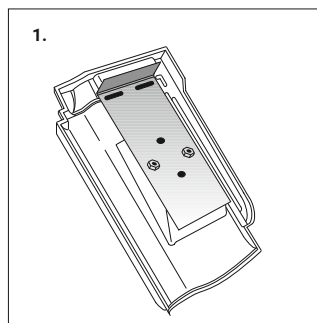
- B2 as per DIN 4102-4 (PVC-U tile)
- A1 as per DIN 4102-4 (all load-bearing metal components)

TECHNICAL NOTES

Load-bearing metal parts

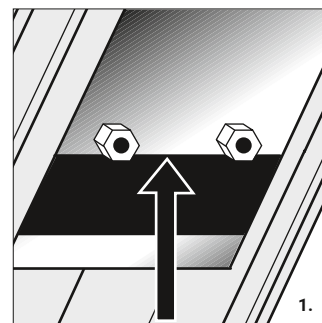


1. Log holder: Steel

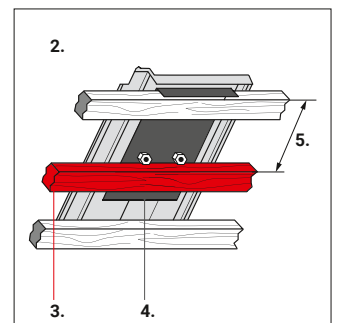


1. Metal plate made of galvanised iron sheet

Installation note



1. **Attention!** Attach additional batten here



2. **Please note and check!** For oversized and small-format tiles, the dimension changes (5).
 3. Additional batten
 4. Distance between load-bearing batten – support batten:
 Batten dimension as per laying instructions (QR code)



Find out more at
fleck-dach.de/verlegehinweis