



FLECK Antenna feedthrough tile MEGA

PRODUCT INFORMATION

The inclination of the antenna feedthrough tile MEGA can be adjusted from approx. 19° to approx. 60° (depending on the type of roof tile) and it is completely painted in the colour of your choice. Suitable for antenna rods with a diameter of 40, 50 and 60 mm.

Also available as alternative:

- Slate/shingle
- Corrugated profile 5 ~ 480 × 900 mm (small format)

Material

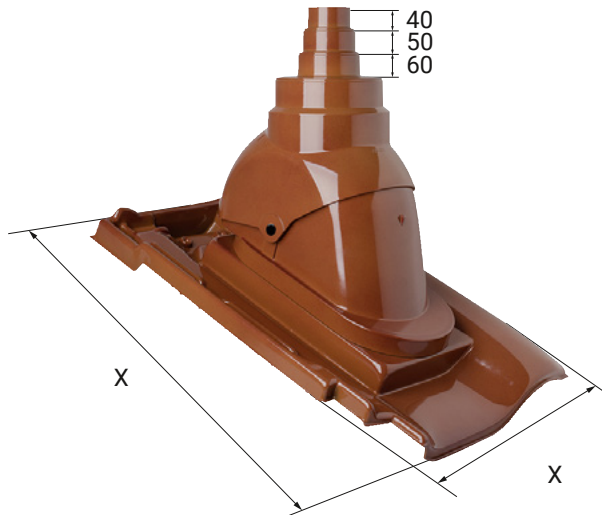
All components are made of highly weather-resistant, durable special rigid PVC.

Note

The antenna rod to be passed through must be installed in the product free of tension.

Construction material (fire reaction) class

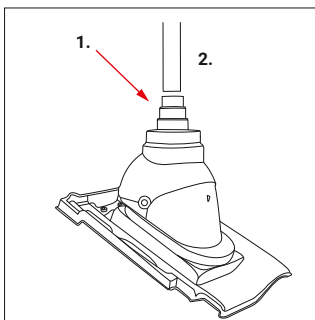
B2 as per DIN 4102



X-dimensions as per tile type
Dimensions in mm

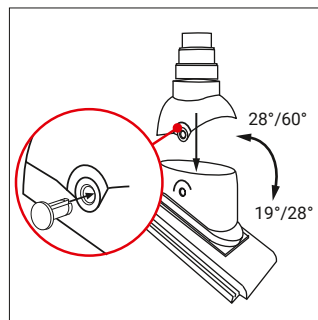
TECHNICAL NOTES

Installation note



1. Carry out sealing on site
2. Antenna rod

Set roof pitch



1. Adjust the top part of the vent
2. Align plumb according to roof pitch
3. Lock with screws