



FLECK Condensing boiler exhaust feedthrough tile variable DN 100 oder DN 125



PRODUCT INFORMATION

The condensing boiler exhaust feedthrough tile variable is available with a black boot top and is suitable for use on pitched roofs with different roofings made of clay or concrete tiles. It can also be ordered for roofs with slate/shingle. Usable for approx. 19°– 53° roof pitch (depending on tile type)

Also available as alternative:

- Slate/shingle
- Corrugated profile 5 ~ 480 × 900 mm (small format)

Material

- The base plate is made of highly weather-resistant, durable special rigid PVC
- Collar: is made of highly weather-resistant, durable special soft PVC

Construction material (fire reaction) class

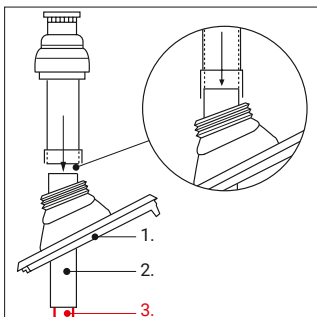
B2 as per DIN 4102



Can be used for double-wall ventilation pipes only!

TECHNICAL NOTES

Set roof pitch



1. Feedthrough tile
2. Fresh air pipe
3. Exhaust gas pipe