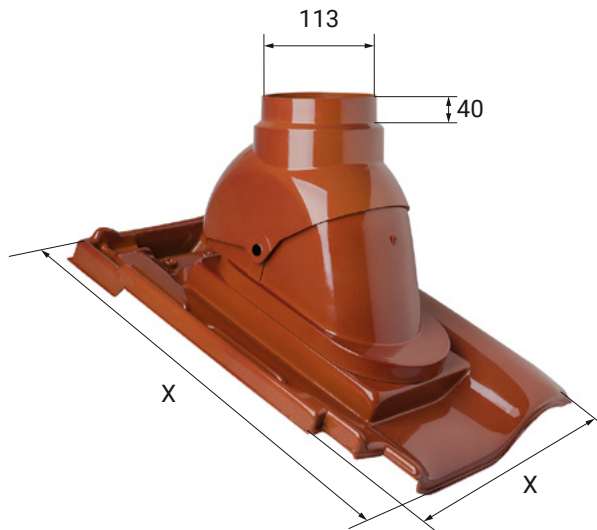




FLECK Condensing boiler exhaust feedthrough tile MEGA DN 100

PRODUCT INFORMATION



X-dimensions as per tile type
Dimensions in mm

The roof tile and the thermal top of the FLECK condensing boiler exhaust feedthrough tile MEGA are painted completely in the colour of your choice. Can be used for exhaust gas ducts in DN 100. Individually adjustable for roof pitches from approx. 19° to 53° (depending on roof tile type).

Also available as alternative:

- Slate/shingle
- Corrugated profile 5 ~ 480 × 900 mm (small format)

Material

The base plate and the thermal top are made of highly weather-resistant, durable special rigid PVC.

Construction material (fire reaction) class

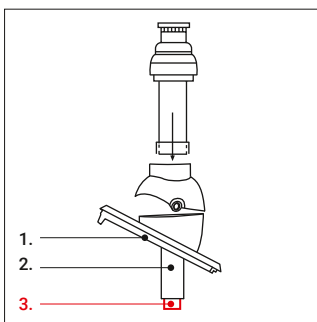
B2 as per DIN 4102



Can be used for double-wall ventilation pipes only!

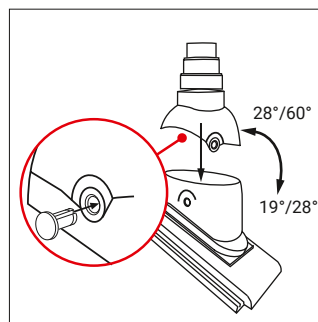
TECHNICAL NOTES

Installation note



1. Base plate
2. Fresh air pipe
3. Exhaust gas pipe

Set roof pitch



1. Adjust the top part of the vent!
2. Align plumb according to roof pitch
3. Lock with screws

