



# FLECK Flat roof vent



Flange made of rigid PVC



Flange collar made of bituminous membrane



Flange collar made of plastic or elastomer sheet

## PRODUCT INFORMATION

FLECK flat roof vents in DN 50–DN 500 do not have a connection pipe under the flange and can be used as flat roof vents for cold roofs, release vents of cold and warm roofs or also in large dimensions as vents for lift shafts up to 7.5 m<sup>2</sup> floor area.

### Material

- The main components are made of highly weather-resistant, durable special rigid PVC
- Material thickness PVC flange: 4 mm
- For roofs with FPO/TPO roofing sheets based on PP, the DN 70 and DN 150 flanges are also available in PP (polypropylene)
- For DN 90–DN 125 with PP flange, see 4 in 1 flat roof vent

### Note

- For ventilation of flat roof-cold roofs, 200 cm<sup>2</sup> ventilation cross-section per metre of roof length is required (DIN 4108)
- For the ventilation of lift shafts, a minimum of 1000 cm<sup>2</sup> ventilation cross-section is required (MBO § 39\*\*), this requirement is fulfilled with vents from DN 400 onwards
- For outside and inside diameters and wall thicknesses, please refer to the pipe table (see QR code)

### Note on bitumen connection on PVC flange\*.

Optimum bonding is achieved by professionally priming the flange with a suitable bitumen primer.

### Note on PVC roofing sheet on PVC flange\*.

The professional bonding of PVC roofing sheets to the rigid PVC flange is carried out using a hot air gun or a solvent welding agent (different, depending on the membrane).

### Construction material (fire reaction) class

B2 as per DIN 4102

### Optional accessories

Flair head DN 125, DN 150 or DN 200 for mechanical exhaust air systems (see illustration).



### Pipe table data sheet

[fleck-dach.de/en/services/downloads/](http://fleck-dach.de/en/services/downloads/)

\* connections made on site

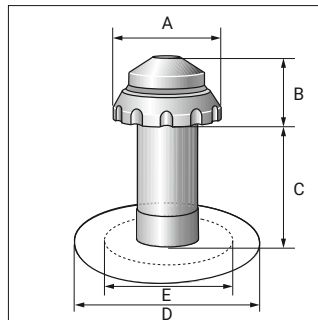
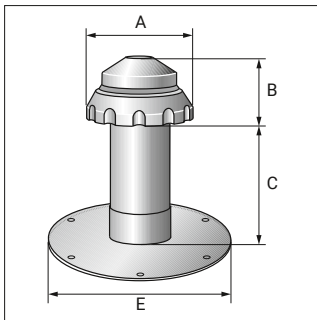
\*\* MBO = Model Building Code



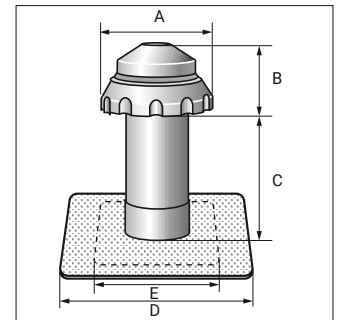
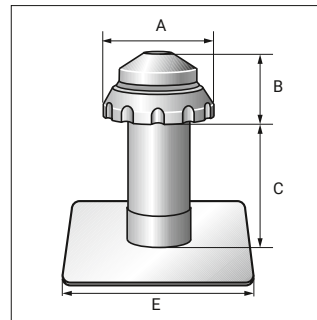


**TECHNICAL NOTES**

**Flange/Flange-Collar round**



**Flange/Flange collar square**



Material	Nominal diameter	Flange- or collar form	Dimensions (mm)					Vent cross-section (cm <sup>2</sup> )
			A	B	C	D	E	
Rigid-PVC-/PP*-flange	DN 50	round	80	45	210	–	230	~ 16 cm <sup>2</sup>
	DN 70		115	60	225	–	350	~ 39 cm <sup>2</sup>
	DN 150		240	110	310	–	350	~ 170 cm <sup>2</sup>
Bituminous membrane	DN 50		80	45	210	470	230	~ 16 cm <sup>2</sup>
	DN 70		115	60	200	470	350	~ 39 cm <sup>2</sup>
	DN 150		240	110	310	470	350	~ 170 cm <sup>2</sup>
PVC-/FPO collar	DN 50		80	45	210   225	470	230	~ 16 cm <sup>2</sup>
	DN 70		115	60	225   200	470	350	~ 39 cm <sup>2</sup>
	DN 150		240	110	310	470	350	~ 170 cm <sup>2</sup>
Rigid-PVC flange / PVC- and Resitrix collar	DN 200		square	305	150	280	–	475
	DN 250	380		150	280	–	475	~ 471 cm <sup>2</sup>
	DN 300	480		210	250	–	475	~ 754 cm <sup>2</sup>
	DN 400	610		280	375	–	645	~ 1,212 cm <sup>2</sup>
	DN 500	770		340	340	–	745	~ 1,850 cm <sup>2</sup>
Bituminous membrane	DN 200	305		150	280	675	475	~ 298 cm <sup>2</sup>
	DN 250	350		150	280	675	475	~ 471 cm <sup>2</sup>
	DN 300	480		210	250	675	475	~ 754 cm <sup>2</sup>
	DN 400	610		280	375	845	645	~ 1,212 cm <sup>2</sup>
	DN 500	770		340	340	945	745	~ 1,850 cm <sup>2</sup>

Note: For dimensions DN 90–DN 125, see 4 in 1 flat roof vent  
 \* PP flange only applies to nominal diameters DN 70 and DN 150

Dimensions in mm



Data sheet 4 in 1 flat roof vent DN 125/100 or DN 90  
[fleck-dach.de/en/produkte/4-in-1-flat-roof-vent/](http://fleck-dach.de/en/produkte/4-in-1-flat-roof-vent/)

