



# FLECK Flat roof ventilator



FLECK Flair head  
For mechanical systems

## PRODUCT INFORMATION

The FLECK flat roof ventilators with integrated bottom pipe from DN 50–DN 500 find versatile use in the ventilation area. Large dimensions are often used in catering or lift shafts. Flange collars are available in bituminous membrane or plastic or elastomer roofing membrane.

### Material

- All components are made of highly weather-resistant, durable special rigid PVC
- Material thickness rigid PVC flange: 4 mm

### Note

- For optimum vapour tightness and backflow protection, the plug-in connection between ventilator and a FLECK backflow seal (except DN 70–DN 150) must be glued with a rigid PVC adhesive
- For the connection of ventilators DN 70–DN 150, base elements with integrated backflow seal are recommended
- For outside and inside diameters and wall thicknesses, please refer to the **pipe table** (see QR code)

### Note on bitumen connection on PVC flange\*.

Optimum bonding is achieved by professionally priming the flange with a suitable bitumen primer.

### Note on PVC roofing sheet on PVC flange\*.

The professional bonding of PVC roofing sheets to the rigid PVC flange is carried out using a hot air gun or a solvent welding agent (different, depending on the membrane).

### Construction material (fire reaction) class

B2 as per DIN 4102

### Optional accessories

Flair head DN 125, DN 150 or DN 200 for mechanical exhaust air systems (see illustration).



### Pipe table data sheet

fleck-dach.de/en/services/downloads/

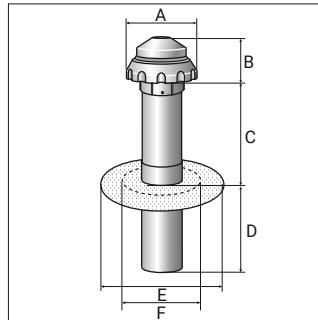
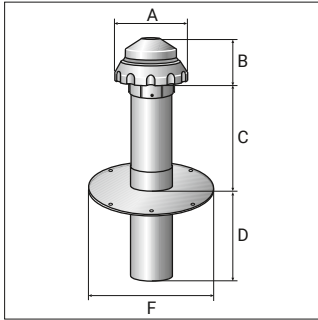
\* connections made on site



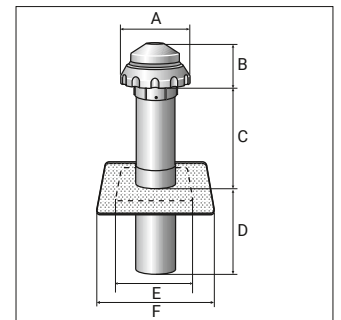
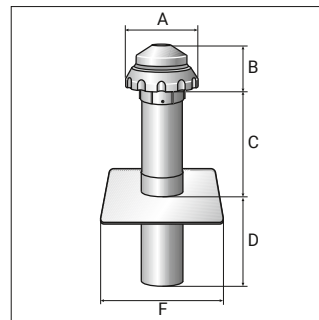


**TECHNICAL NOTES**

**Flange/Flange-Collar round**



**Flange/Flange collar square**



Material	Nominal diameter	Flange- or collar form	Dimensions (mm)						Vent cross-section (cm <sup>2</sup> )	
			A	B	C	D	E	F		
Rigid-PVC-/PP*-flange	DN 50	round	80	45	210	290	-	230	~ 16 cm <sup>2</sup>	
	DN 70		115	60	225	275	-	350	~ 39 cm <sup>2</sup>	
	DN 150		240	110	310	275	-	350	~ 170 cm <sup>2</sup>	
Bituminous membrane	DN 50		80	45	210	290	470	230	~ 16 cm <sup>2</sup>	
	DN 70		115	60	200	305	470	350	~ 39 cm <sup>2</sup>	
	DN 150		240	110	310	275	470	350	~ 170 cm <sup>2</sup>	
Plastic or elastomer roofing membranes PVC- / FPO collar	DN 50		80	45	210   225	290	470	230	~ 16 cm <sup>2</sup>	
	DN 70		115	60	225   200	275   305	470	350	~ 39 cm <sup>2</sup>	
	DN 150		240	110	310	275	470	350	~ 170 cm <sup>2</sup>	
PVC/PVC roof sheeting	DN 200		square	305	150	280	270	-	475	~ 298 cm <sup>2</sup>
	DN 250			380	150	280	270	-	475	~ 471 cm <sup>2</sup>
	DN 300			480	210	250	270	-	475	~ 754 cm <sup>2</sup>
	DN 400	610		280	375	445	-	645	~ 1,212 cm <sup>2</sup>	
	DN 500	770		340	340	445	-	745	~ 1,850 cm <sup>2</sup>	
Bituminous membrane	DN 200	305	150	280	270	675	475	~ 298 cm <sup>2</sup>		
	DN 250	350	150	280	270	675	475	~ 471 cm <sup>2</sup>		
	DN 300	480	210	250	270	675	475	~ 754 cm <sup>2</sup>		
	DN 400	610	280	375	445	845	645	~ 1,212 cm <sup>2</sup>		
	DN 500	770	340	340	445	945	745	~ 1,850 cm <sup>2</sup>		

Note: For dimensions DN 90–DN 125, see 4 in 1 flat roof vent  
 \* PP flange only applies to nominal diameters DN 70 and DN 150

Dimensions in mm



Data sheet 4 in 1 flat roof vent DN 125/100 or DN 90  
[fleck-dach.de/en/produkte/4-in-1-flat-roof-vent/](http://fleck-dach.de/en/produkte/4-in-1-flat-roof-vent/)

