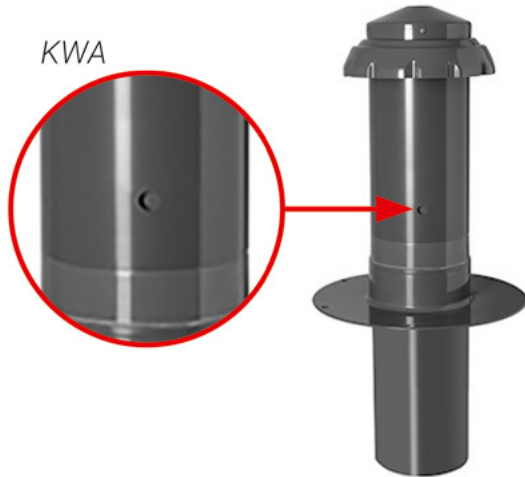




FLECK Flat roof-roof terminal DN 150 and DN 200 + KWA



FLECK Flair head
For mechanical systems

PRODUCT INFORMATION

The FLECK flat roof-roof terminal DN 150 and DN 200 with condensate separator (KWA) is suitable for exhaust air systems with high humidity in the exhaust air. It comes complete with fully assembled bottom pipe and integrated condensate separator in the upper pipe. The KWA drains the condensate onto the roof. It is watertight up to 150 mm above the flange or flange collar. Available with flange collar made of bituminous membrane, PVC roof sheeting or Resitrix.

Material

The main components are made of highly weather-resistant, durable special rigid PVC.

Note

- To ensure optimum vapour tightness and backflow protection, the plug-in connection between DN 200 and the FLECK backflow seal DN 200 must be glued with a suitable rigid PVC adhesive
- For the DN 150 roof terminal, we recommend FLECK base elements with integrated backflow seal, which need not be glued to the roof terminal
- For outside and inside diameters and wall thicknesses, please refer to the **pipe table** (see QR code)

Note on bitumen connection on PVC flange*.

Optimum bonding is achieved by professionally priming the flange with a suitable bitumen primer.

Note on PVC roofing sheet on PVC flange*.

The professional bonding of PVC roofing sheets to the rigid PVC flange is carried out using a hot air gun or a solvent welding agent (different, depending on the membrane).

Optional accessories

Flair head DN 125, DN 150 or DN 200 for mechanical exhaust air systems (see illustration).



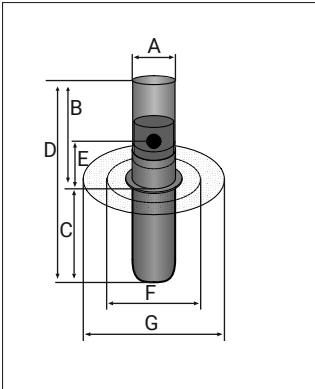
Pipe table data sheet

fleck-dach.de/en/services/downloads/

* connections made on site



TECHNICAL NOTES



Material	Nominal diameter	Flange- or collar form	Dimensions (mm)						
			A	B	C	D	E	F	G
Rigid PVC flange	DN 150	round	160	390	280	670	150	350	470
Plastic or elastomer roofing membrane Bituminous membrane			160	390	280	670	150	350	470
Plastic or elastomer roofing membrane Bituminous membrane	DN 200	square	200	420	270	690	200	475	675

Dimensions in mm

