



FLECK Flat roof gully



Flange made of rigid PVC



Flange collar made of bituminous membrane

PRODUCT INFORMATION

The FLECK flat roof gully with increased drainage capacity is available in the model variants DN 70, DN 100 and DN 125. It is supplied including a gravel trap or with a screen and is available with a flange collar made of bituminous membrane. Matching base elements are available with integrated back-flow seal.

Material

- All components are made of highly weather-resistant, durable special rigid PVC
- Material thickness rigid PVC flange collar: 4 mm
- Also available with collar made of bituminous membrane

Note

- For optimum vapour tightness and backflow protection, the plug-in connection between the FLECK base elements and gullies must be glued with rigid PVC adhesive
- You can find the outside, inside diameters and wall thicknesses of our ventilation pipes in the **pipe table** (see QR code)

Note on bitumen connection on PVC flange*.

Optimum bonding is achieved by professionally priming the flange with a suitable bitumen primer.

Note on PVC roofing sheet on PVC flange*.

The professional bonding of PVC roofing sheets to the rigid PVC flange is carried out using a hot air gun or a solvent welding agent (different, depending on the membrane).



Pipe table data sheet

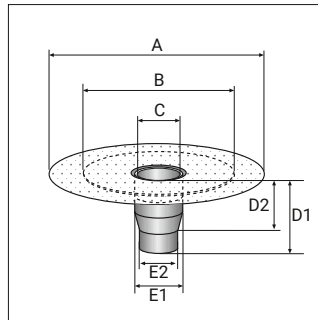
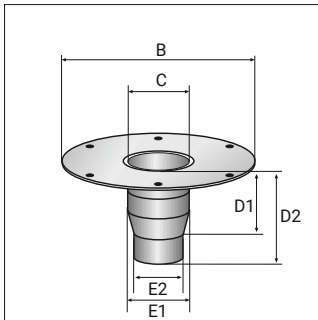
fleck-dach.de/en/services/downloads/

* connections made on site





TECHNICAL NOTES



Note for core hole!

Gully flange embedded in insulation level:

- Note flange depth D1
- Select recommended core hole in insulation $\approx E1$
- If necessary, re-insulate the gap between the gully flange and the insulation
- Recommended core hole in the ceiling $\approx E2 + 20$ mm

Gully flange embedded in ceiling level:

- Select recommended core hole ≈ 180 mm
- If necessary, professionally fill the gap between the gully flange and the ceiling

Material	Nominal diameter	Dimensions (mm)						
		A	B	C	D1	D2	E1	E2
Rigid PVC flange	DN 70	–	350	160	150	200	167	75
	DN 100	–	350	160	150	200	167	110
	DN 125	–	350	160	150	200	167	125
Bituminous membrane	DN 70	470	350	160	150	200	167	75
	DN 100	470	350	160	150	200	167	110
	DN 125	470	350	160	150	200	167	125

Dimensions in mm



ROOFGUARD leaf screen
fleck-dach.de/en/produkte/roofguard-leaf-screen/

