



FLECK Flat roof renovation gully DN 90

PRODUCT INFORMATION

With the help of the FLECK flat roof renovation gully with gravel trap or screen and backflow seal, older DN 100 flat roof drains or gullies can be easily renovated. The DN 90 flat roof renovation gully is manufactured with an extra-long pipe and incl. removable backflow seal for direct fitting and insertion into existing DN 100 pipes.

Material

- All components are made of highly weather-resistant, durable special rigid PVC
- Material thickness rigid PVC flange: 4mm
- Also available with collar made of bituminous membrane
- Backflow seal made of EPDM

Note

- Thoroughly clean the inside of the drain pipe to be renovated before inserting the renovation gully, which may have been shortened. The EPDM collar supplied can be removed from the bottom pipe if necessary and can be put back on after shortening
- For outside and inside diameters and wall thicknesses, please refer to the **pipe table** (see QR code)

Note on bitumen connection on PVC flange*.

Optimum bonding is achieved by professionally priming the flange with a suitable bitumen primer.

Note on PVC roofing sheet on PVC flange*.

The professional bonding of PVC roofing sheets to the rigid PVC flange is carried out using a hot air gun or a solvent welding agent (different, depending on the membrane).



Flange made of rigid PVC



Flange collar made of bituminous membrane



Pipe table data sheet

fleck-dach.de/en/services/downloads/

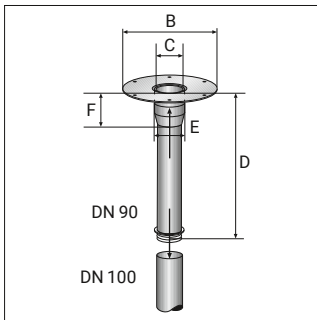
* connections made on site



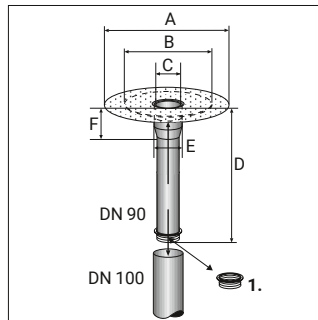


TECHNICAL NOTES

Installation note



Installation example – without the pipe being shortened



Installation example 2– with shortened pipe

1. Remove the backflow seal to shorten the pipe and put it back on afterwards



ROOFGUARD leaf screen
fleck-dach.de/en/produkte/roofguard-leaf-screen/

RENOVATION OF FLAT ROOFS WITH EXISTING DN 100 DRAINS

Material	Nominal diameter	Dimensions (mm)					
		A	B	C	D	E	F
Rigid PVC flange	DN 90	–	350	160	600	167	150
Plastic or elastomer membranes	DN 90	470	350	160	600	167	150

Dimensions in mm

