



# FLECK Flat roof drain



Flange made of rigid PVC



Flange collar made of bituminous membrane



Flange collar made of plastic or elastomer sheet



Flange collar made of plastic or elastomer sheet

## PRODUCT INFORMATION

The FLECK flat roof drain DN 50-DN 150 is the most widely used FLECK drain for gravity drainage. It is supplied including a gravel trap or with a screen. Available with flange collar made of bituminous membrane or plastic or elastomer roofing membrane, as well as matching base elements from DN 70–DN 150 with backflow seal (plug-in connection). For roofs with PP-based FPO/TPO roofing sheets, drains with (PP) polypropylene flange are offered.

### Material

- The drains are manufactured with highly weather-resistant, durable PVC or PP flanges
- Material thickness of flange: 4 mm
- Screen and universal gravel trap are made of high-quality PP

### Note

- For optimum vapour tightness and backflow protection, the DN 50 plug-in connection between the FLECK base elements and drains must be glued with rigid PVC adhesive
- For the dimensions DN 70, DN 100, DN 125, DN 150, we recommend base elements with integrated backflow seal, which need not be glued
- You can find the outside, inside diameters and wall thicknesses of our ventilation pipes in the **pipe table** (see QR code page 2)

### Note on bitumen connection on PVC flange\*.

Optimum bonding is achieved by professionally priming the flange with a suitable bitumen primer.

### Note on PVC roofing sheet on PVC flange\*.

The professional bonding of PVC roofing sheets to the rigid PVC flange is carried out using a hot air gun or a solvent welding agent (different, depending on the membrane).

### Note on PP flange\*

On the (PP) polypropylene flanges, TPO/FPO roof waterproofing sheets manufactured on PP basis can be welded directly with hot gas equipment. It is recommended to carry out weld tests.

### Optional accessories

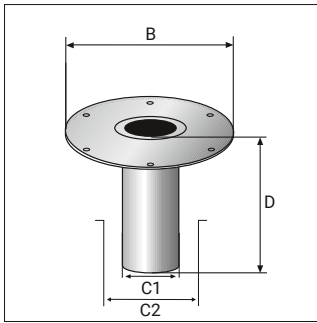
Thermal insulation for flat roof accessories from DN 70–DN 150

\* connections made on site

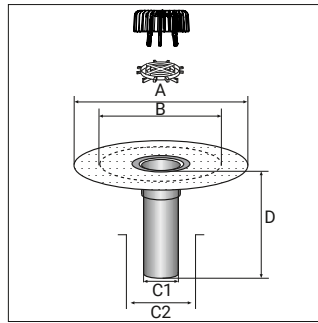




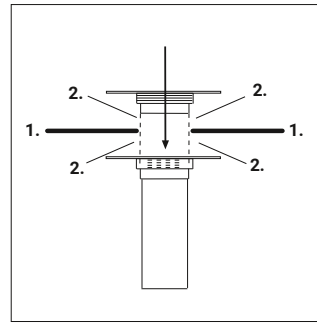
**TECHNICAL NOTES**



PVC/PP flange



With flange collar



1. Roof sheeting pressed in for DN 50-DN 125. PVC-/Resitrix roof sheeting glued on at DN 150
2. Adhesives and sealants

C1= outside pipe diameter  
 C2= required core hole  
 (pipe diameter + 20 mm)

Material	Nominal diameter	Flange- or collar form	Dimensions (mm)				
			A	B	C1	C2	D
Rigid PVC flange	DN 50	round	-	230	50	70	350
	DN 70		-	350	75	95	350
	DN 100		-	350	110	130	350
	DN 125		-	350	125	145	350
	DN 150		-	350	160	180	350
Bituminous membrane	DN 50		470	230	50	70	350
	DN 70		470	350	75	95	350
	DN 100		470	350	110	130	350
	DN 125		470	350	125	145	350
	DN 150		470	350	160	180	350
Plastic or elastomer roofing membranes (PVC- or Resitrix roof sheeting*)	DN 50		470	230	50	70	350
	DN 70		470	350	75	95	350
	DN 100		470	350	110	130	350
	DN 125		470	350	125	145	350
	DN 150		470	350	160	180	350

\* Only applies to nominal diameter DN 150

Dimensions in mm



**ROOFGUARD leaf screen**  
[fleck-dach.de/en/produkte/roofguard-leaf-screen/](http://fleck-dach.de/en/produkte/roofguard-leaf-screen/)



**Pipe table data sheet**  
[fleck-dach.de/en/services/downloads/](http://fleck-dach.de/en/services/downloads/)

