



FLECK Renovating drain for flat roof



PRODUCT INFORMATION

FLECK renovating drains for flat roof are available complete with gravel trap and backflow seal in DN 90 (for DN 100), DN 100 (for DN 125) and DN 125 (for DN 150). The EPDM backflow seal is already fitted at the production end, but can be removed to shorten the pipe. Flanged collars are available in a choice of bituminous membrane, PVC or EPDM roof sheeting.

Material

The main components of the drain body are made of highly weather-resistant, durable special rigid PVC.

Note

To renovate an existing connection, the renovating drain for flat roof is selected smaller in diameter than the existing connection according to the table "Installation instructions".

Note on elastomer bitumen*

The elastomer bituminous membrane connection can be used for all common bituminous membranes.

Note on bitumen connection on PVC flange*

Optimum bonding is achieved by professionally priming the flange with a suitable bitumen primer.

Note on PVC roofing sheet on PVC flange*

The professional bonding of PVC roofing sheets to the rigid PVC flange is carried out using a hot air gun or a solvent welding agent (different, depending on the membrane).

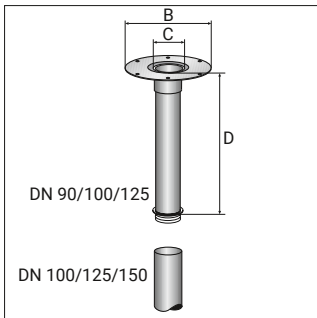
* connections made on site



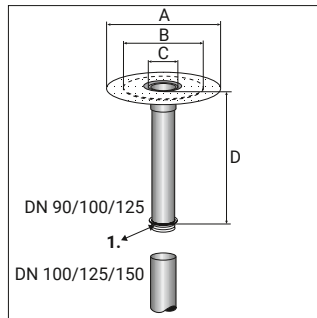


TECHNICAL NOTES

Installation note



Installation example – without the pipe being shortened



Installation example 2 – with shortened pipe

1. Remove the backflow seal to shorten the pipe and put it back on afterwards



ROOFGUARD leaf screen
fleck-dach.de/en/produkte/roofguard-leaf-screen/

FOR THE RENOVATION OF DN 90, DN 100 AND DN 125 CONNECTIONS

Material	Nominal diameter	Dimensions (mm)			
		A	B	C	D
Rigid PVC flange	DN 90	–	350	86	600
	DN 100	–	350	106	600
	DN 125	–	350	121	600
Bituminous membrane	DN 90	470	350	86	600
	DN 100	470	350	106	600
	DN 125	470	350	121	600

Dimensions in mm

