



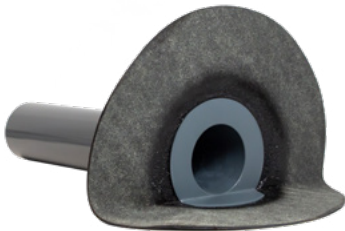
FLECK Angular drain for flat roof (Spitter)



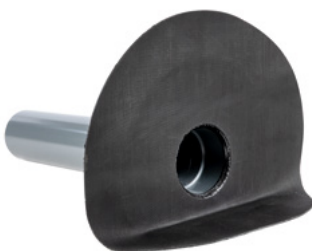
Flange made of rigid PVC (DN 50–DN 200)



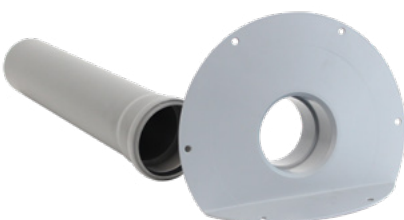
Flange collar made of bituminous membrane
(DN 50, DN 125, DN 150, DN 200)



With pressed flange and flange collar made of
bituminous membrane (DN 70 and DN 100)



Flange collar made of PVC roof sheeting
(up to DN 150)



Flange made of PP (two-piece, DN 70–DN 125)

PRODUCT INFORMATION

The FLECK angular drain for flat roof (spitter) is available in nominal widths DN 50–DN 200. Polypropylene (PP) flange versions in sizes DN 70, DN 100 and DN 125 are available in two-piece design. The variants with flange collar made of bituminous membrane are available in the dimensions DN 70 and DN 100 as a pressed version. All other dimensions are offered in one-piece design with and without flange collar (see table below).

Applications

For gravity drainage through the parapet, standard pipe length 55 cm (other lengths available on request).

Material

- Made of highly weather-resistant, durable special rigid PVC
- Available in the rigid PVC flange version with or without factory-applied roof sheeting collars

Construction material (fire reaction) class

B2 as per DIN 4102

Note

You can find the outside, inside diameter and wall thicknesses of our ventilation pipe in the **pipe table** (see QR code).

Note on bitumen connection on PVC flange*.

Optimum bonding is achieved by professionally priming the flange with a suitable bitumen primer.

Note on PVC roofing sheet on PVC flange*.

The professional bonding of PVC roofing sheets to the rigid PVC flange is carried out using a hot air gun or a solvent welding agent (different, depending on the membrane).

Optionally available

- Parapet-universal-gravel trap PP for DN 70–DN 125
- Gravel trap in metal design for DN 50 and DN 150



Pipe table data sheet

fleck-dach.de/en/services/downloads/

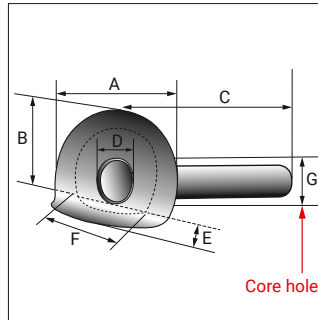
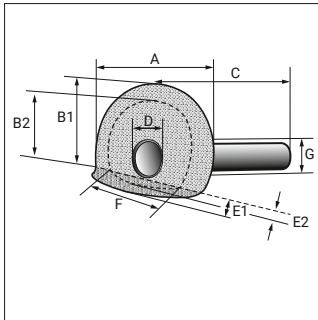
* connections made on site



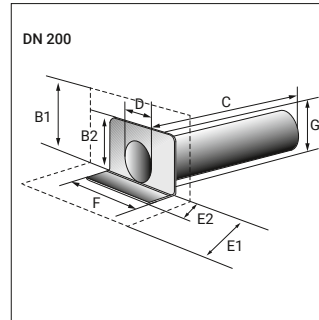


TECHNICAL NOTES

Drain with round flange/round flange collar



Drain with square flange/square flange collar



Material	Nominal diameter	Flange- or collar form	Dimensions (mm)								
			A	B1	B2	C	D	E1	E2	F	G
Rigid PVC flange	DN 50	round	-	-	140	550 ^{***}	50	-	90	230	70
	DN 70		-	-	213	550 ^{***}	75	-	138	350	95
	DN 100		-	-	230	550 ^{***}	110	-	120	350	130
	DN 125		-	-	238	550 ^{***}	125	-	113	350	145
	DN 150		-	-	255	550 ^{***}	150	-	95	350	180
	DN 200		-	-	340	550 ^{***}	200	-	135	476	220
Bituminous membrane ^{**}	DN 50		470	260	140	550 ^{***}	50	210	90	230	70
	DN 70		470	285	155	550 ^{***}	70	185	95	225	95
	DN 100		470	320	200	550 ^{***}	105	150	95	295	130
	DN 125		470	298	238	550 ^{***}	125	173	113	350	145
	DN 150		470	310	255	550 ^{***}	150	160	95	350	180
PVC-/Resitrix	DN 50		470	260	140	550 ^{***}	50	210	90	230	70
	DN 70		470	273	213	550 ^{***}	75	198	138	350	95
	DN 100		470	290	230	550 ^{***}	110	180	120	350	130
	DN 125		470	298	238	550 ^{***}	125	173	113	350	145
	DN 150		430	310	255	550 ^{***}	150	160	95	350	180
	DN 200		675	440	340	550 ^{***}	200	235	135	475	220
Elevate [*]	DN 50		430	240	140	550 ^{***}	50	190	90	230	70
	DN 70		430	253	170	550 ^{***}	75	178	80	250	95
	DN 100		430	270	180	550 ^{***}	110	160	70	250	130
	DN 125	430	278	190	550 ^{***}	125	153	60	250	145	

* formerly Firestone
 ** pressed version
 *** also individually on request

Dimensions in mm

