



# FLECK Angular drain with 3.5 cm stop edge (Spitter emergency roof overflow)



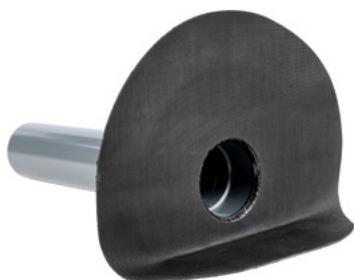
Flange collar made of  
Plastic or elastomer sheet



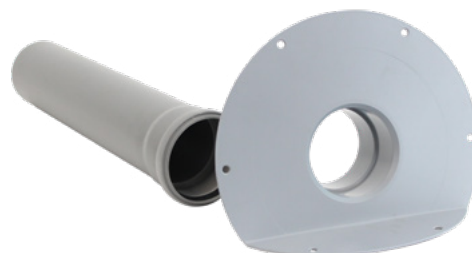
Flange made of rigid PVC



Flange collar made of bituminous membrane



Flange collar  
made of PVC roof sheeting



Flange made of PP (two-piece)

## PRODUCT INFORMATION

The FLECK angular drain for flat roof with 3.5 cm roof edge (spitter emergency roof overflow) serves as an emergency roof overflow for a gravity drainage through the parapet. The backed-up level is fixed at 35 mm or defined according to customer requirements. The standard pipe length is 55 cm, longer versions are also available on request. Available in nominal widths DN 50–DN 150 or as DN 200 with square flange. Polypropylene (PP) flange versions in sizes DN 70, DN 100 and DN 125 are available in two-piece design.

### Material

- Main components of the angular drain made of highly weather-resistant, durable special rigid PVC (except variant in PP)
- Available in the rigid PVC flange version with or without factory-applied roof sheeting collars

### Note

You can find the outside, inside diameter and wall thicknesses of our ventilation pipe in the **pipe table** (see QR code).

### Note on bitumen connection on PVC flange\*.

Optimum bonding is achieved by professionally priming the flange with a suitable bitumen primer.

### Note on PVC roofing sheet on PVC flange\*.

The professional bonding of PVC roofing sheets to the rigid PVC flange is carried out using a hot air gun or a solvent welding agent (different, depending on the membrane).



### Pipe table data sheet

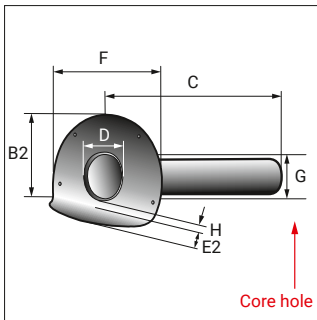
fleck-dach.de/en/services/downloads/

\* connections made on site

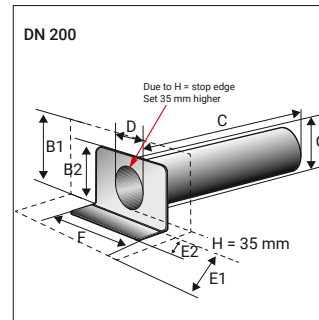
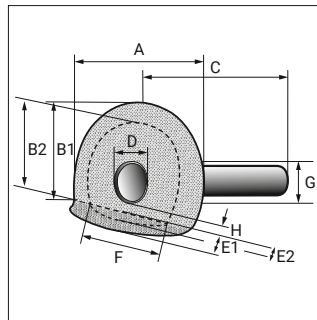


## TECHNICAL NOTES

### Rigid PVC



### Bituminous membrane



Material	Nominal diameter	Flange- or collar form	Dimensions (mm)									
			A	B1	B2	C	D	E1	E2	F	G	H
Rigid PVC flange	DN 50	round	-	-	175	550 <sup>***</sup>	50	-	55	230	70	35 <sup>***</sup>
	DN 70		-	-	248	550 <sup>***</sup>	75	-	103	350	95	35 <sup>***</sup>
	DN 100		-	-	265	550 <sup>***</sup>	110	-	85	350	130	35 <sup>***</sup>
	DN 125		-	-	273	550 <sup>***</sup>	125	-	78	350	145	35 <sup>***</sup>
	DN 150		-	-	290	550 <sup>***</sup>	160	-	60	350	180	35 <sup>***</sup>
	DN 200		-	-	375	550 <sup>***</sup>	200	-	100	475	220	35 <sup>***</sup>
Bituminous membrane <sup>**</sup>	DN 50		470	260	175	550 <sup>***</sup>	50	210	55	230	70	35 <sup>***</sup>
	DN 70		470	308	148	550 <sup>***</sup>	75	163	103	225	95	35 <sup>***</sup>
	DN 100		470	325	265	550 <sup>***</sup>	110	145	85	295	130	35 <sup>***</sup>
	DN 125		470	333	273	550 <sup>***</sup>	125	138	78	350	145	35 <sup>***</sup>
	DN 150		470	350	290	550 <sup>***</sup>	160	120	60	350	180	35 <sup>***</sup>
PVC/-Resitrix	DN 50		470	260	175	550 <sup>***</sup>	50	210	55	230	70	35 <sup>***</sup>
	DN 70		470	308	248	550 <sup>***</sup>	75	163	103	350	95	35 <sup>***</sup>
	DN 100		470	325	265	550 <sup>***</sup>	110	145	85	350	130	35 <sup>***</sup>
	DN 125		470	333	273	550 <sup>***</sup>	125	138	78	350	145	35 <sup>***</sup>
	DN 150		430	350	290	550 <sup>***</sup>	160	80	60	350	180	35 <sup>***</sup>
	DN 200		675	475	375	550 <sup>***</sup>	200	200	100	475	220	35 <sup>***</sup>
Elevate <sup>*</sup>	DN 50		430	240	175	550 <sup>***</sup>	50	190	55	230	70	35 <sup>***</sup>
	DN 70	430	288	198	550 <sup>***</sup>	75	143	53	250	95	35 <sup>***</sup>	
	DN 100	430	305	215	550 <sup>***</sup>	110	125	35	250	130	35 <sup>***</sup>	
	DN 125	430	313	223	550 <sup>***</sup>	125	118	28	250	145	35 <sup>***</sup>	

\* formerly Firestone  
 \*\* pressed version  
 \*\*\* also individually on request

Dimensions in mm