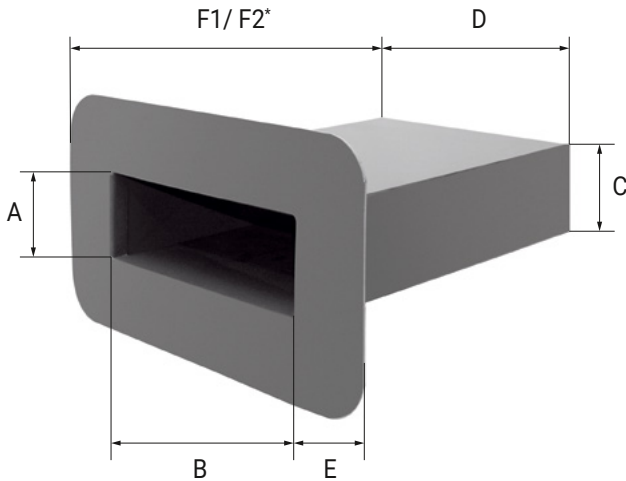




# FLECK Flat roof "BIG" rectangular emergency roof overflow



Flange collar made of bituminous membrane

\* connections made on site

## PRODUCT INFORMATION

The drainage-strong flat roof "BIG" rectangular emergency roof overflow by FLECK is available in the standard channel lengths 300 mm and 500 mm and in various inlet widths from 120 mm x 75 mm to 1000 mm x 100 mm. Requirements of the rectangular emergency roof overflows can be precisely determined via a drainage calculation by FLECK: fleck-dach.de/eb

- Flange collars are optionally available in PVC roof sheeting or plastic or elastomer membrane
- Optionally also with individual colour painting and inclination

### Material

- The main components of the emergency roof overflow are made of highly weather-resistant, durable special rigid PVC
- Material thickness: PVC flange and socket 5 mm
- Flange corners: rounded

### Construction material (fire reaction) class

B2 as per DIN 4102

### Note

The factory-applied bituminous collar is manufactured with a circumferential welded edge of 100 mm.

### Note on bitumen connection on PVC flange\*

Optimum bonding is achieved by professionally priming the flange with a suitable bitumen primer.

### Note on PVC roofing sheet on PVC flange\*

The professional bonding of PVC roofing sheets to the rigid PVC flange is carried out using a hot air gun or a solvent welding agent (different, depending on the membrane).

## TECHNICAL NOTES

Inside dimension		Outside dimension		Flange	Pipe length	
A	B	C	D	E	F1	F2*
75	120	85	130	80	300	500
75	200	85	210	80	300	500
100	200	110	210	80	300	500
100	300	110	310	80	300	500
100	400	110	410	80	300	500
100	500	110	510	80	300	500
100	600	110	610	80	300	500
100	700	110	710	80	300	500
100	800	110	810	80	300	500
100	1,000	110	1,010	80	300	500

\* Standard pipe length is 300 mm or 500 mm. Other lengths are available on request.

Dimensions in mm

