



FLECK Flat roof gooseneck



Gooseneck sealing collar optionally available:



Type 110 (DN 50–DN 100)



Type 160 (DN 70–DN 150)



Type 300 (individual till DN 300)

PRODUCT INFORMATION

Flat roof goosenecks in DN 50–DN 300 are optimally suited for energy penetrations (pipes and cable bundles). To simplify installation, the pipe bend is supplied loose, aligned on site and fixed with PVC adhesive. The flange can be made of either bituminous membrane or plastic or elastomer roofing membrane.

Material

- All main components are made of highly weather-resistant, durable special rigid PVC
- Material thickness rigid PVC/PP flange: 4 mm

Note

- For optimum vapour tightness and backflow protection, the plug-in connection between a FLECK base element and the gooseneck extension must be professionally glued with rigid PVC adhesive for diameters DN50, DN 200, DN 250 and DN 300
- For gooseneck extensions in DN 70, 100, DN 125 and DN 150, we recommend FLECK base elements with integrated backflow seal, which need not be glued
- The cables to be routed are to be installed in the product free of tension
- You can find the outside, inside diameter and wall thicknesses of our ventilation pipe in the **pipe table** (see QR code).

Note on bitumen connection on PVC flange*.

Optimum bonding is achieved by professionally priming the flange with a suitable bitumen primer.

Note on PVC roofing sheet on PVC flange*.

The professional bonding of PVC roofing sheets to the rigid PVC flange is carried out using a hot air gun or a solvent welding agent (different, depending on the membrane).

Optional accessories

Gooseneck sealing collars, which can be adapted to the respective required connection dimensions.



Pipe table data sheet

fleck-dach.de/en/services/downloads/



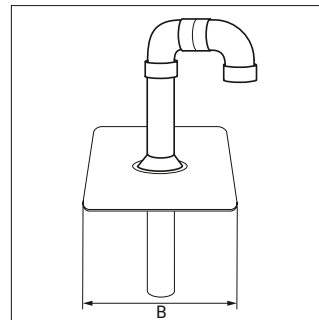
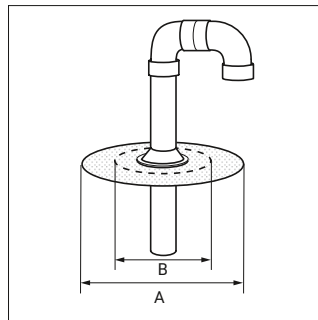
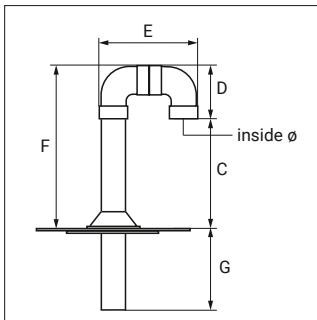
Gooseneck locking sleeve

fleck-dach.de/en/produkte/flat-roof-gooseneck-sealing-collars/

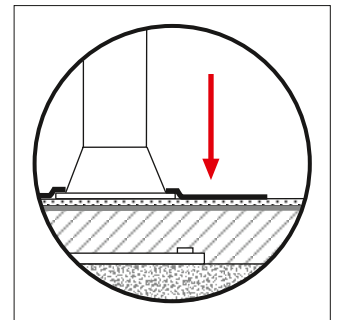
* connections made on site



TECHNICAL NOTES



Proper connection



Bring the top layer up to the edge of the moulding.

Material	Nominal diameter	Flange- or collar form	Dimensions (mm)							
			A	B	C	D	E	F	G	inside ø
Rigid PVC flange	DN 50	round	–	230	345	105	210	450	470	40
	DN 70		–	350	355	155	310	510	470	58
Plastic or elastomer membranes, bituminous membrane	DN 50		470	230	340	105	210	445	470	40
	DN 70		470	350	330	155	310	485	470	58
	DN 100		470	350	339	210	420	535	470	88
	DN 125		470	350	370	230	460	600	470	110
PVC/PP flange	DN 150		470	350	350	285	570	635	–	145
	DN 100		–	350	355	210	420	565	470	90
	DN 125		–	350	355	230	460	585	470	110
Rigid PVC flange, PVC roof sheeting	DN 150		–	350	355	285	570	640	470	145
	DN 200		–	495	355	350	700	700	500	185
	DN 250		–	525	360	420	840	775	500	235
	DN 300	–	345	530	1060	870	270	500	540	

Dimensions in mm

