



FLECK Flat roof gooseneck “Stecki”



PRODUCT INFORMATION

Flat roof goosenecks of the “Stecki” type in DN 50, DN 70, DN 100 and DN 125 are supplied with loose HT pipe bends to be put together. The double 90° pipe bends are push-fit as movable elements.

Material

- All components are made of highly weather-resistant, durable special rigid PVC
- Material thickness PVC flange collar: 4 mm

Note

- For gooseneck extensions in DN 70, 100, DN 125 and DN 150, we recommend FLECK base elements with integrated backflow seal, which need not be glued
- The cables to be routed are to be installed in the product free of tension
- The plugged-together pipe bends should not be used in the case of expected, continuous movements or vibrations of the feedthroughs, as the bends can then become loose; alternatively, we recommend our goosenecks with fixed bend for these applications
- For outside and inside diameters and wall thicknesses, please refer to the **pipe table** (see QR code)

Note on bitumen connection on PVC flange*.

Optimum bonding is achieved by professionally priming the flange with a suitable bitumen primer.

Note on PVC roofing sheet on PVC flange*.

The professional bonding of PVC roofing sheets to the rigid PVC flange is carried out using a hot air gun or a solvent welding agent (different, depending on the membrane).

Accessories

Energy penetration with loose bends



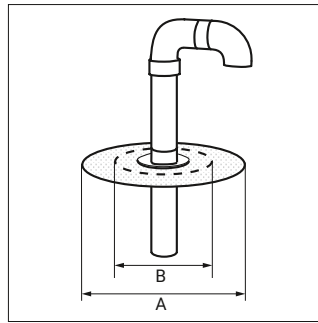
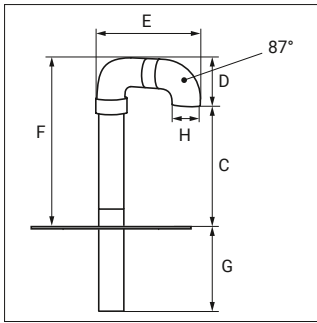
Pipe table data sheet
fleck-dach.de/en/services/downloads/

* connections made on site





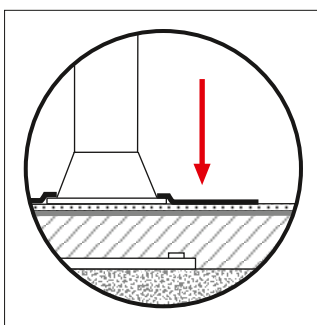
TECHNICAL NOTES



Material	Nominal diameter	Flange- or collar form	Dimensions (mm)							
			A	B	C	D	E	F	G	inside Ø
Rigid PVC flange	DN 50	round	–	230	325	105	160	430	290	40
	DN 70		–	350	345	135	210	480	270	58
	DN 100		–	350	340	180	300	520	270	90
	DN 125		–	350	340	200	330	545	270	110
Plastic or elastomer membranes, bituminous membrane	DN 50		470	230	320	105	160	425	290	40
	DN 70		470	350	320	135	210	435	310	58
	DN 100		470	350	325	180	300	505	310	88
	DN 125		470	350	355	200	330	555	330	110

Dimensions in mm

Roof sheeting connections



Bring the top layer up to the edge of the moulding.

