



FLECK Flat roof base element (extensions, drain without gravel trap)



Rigid PVC adhesive

PRODUCT INFORMATION

Base elements form the lower base for suitably dimensioned, two-piece flat roof drains and flat roof penetrations.

Suitable for FLECK

- 4-in-1 flat roof vent
- Flat roof-roof terminal
- Flat roof-ventilator
- Flat roof drains
- Flat roof gullies
- Flat roof-emergency roof overflows in the surface
- Goosenecks

Material

- All components are made of highly weather-resistant, durable special rigid PVC
- Flange thickness: 4 mm

Construction material (fire reaction) class

B2 as per DIN 4102

Note

- For optimum vapour tightness and backflow protection, the plug-in connection between the extension and the base element must be glued with rigid PVC adhesive
- For outside and inside diameters and wall thicknesses, please refer to the **pipe table** (see QR code)
- Core holes should be made with at least the specified pipe diameter + 20 mm
- Mechanically fix base elements to the ceiling

Note on bitumen connection on PVC flange*.

Optimum bonding is achieved by professionally priming the flange with a suitable bitumen primer.

Note on PVC roofing sheet on PVC flange*.

The professional bonding of PVC roofing sheets to the rigid PVC flange is carried out using a hot air gun or a solvent welding agent (different, depending on the membrane).

Tip

Alternative FLECK base elements with integrated backflow seal in DN 70, DN 100, DN 125 and DN 150 need not be glued to the inserted extensions.



Pipe table data sheet
fleck-dach.de/en/services/downloads/



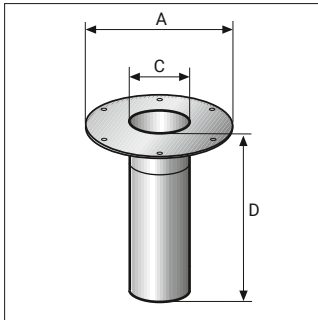
Flat roof base element with integrated backflow seal
fleck-dach.de/en/produkte/flat-roof-base-element-with-integrated-backflow-seal/

* connections made on site

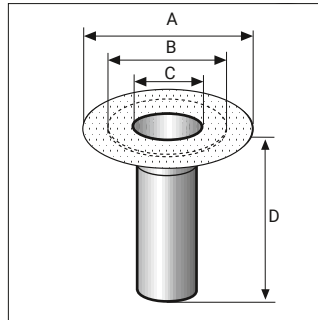


TECHNICAL NOTES

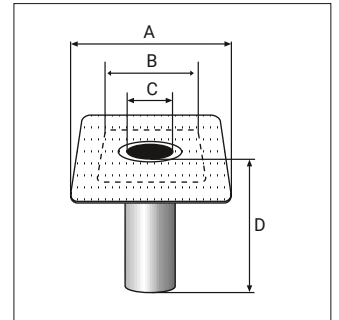
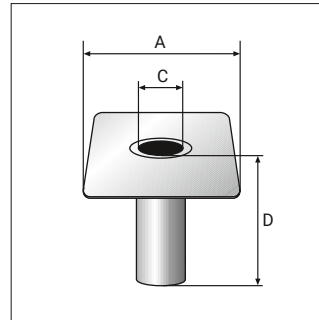
PVC



Bitumen



PVC/PVC roof sheeting



Material	Nominal diameter	Flange- or collar form	Dimensions (mm)				Vent cross-section (cm ²)
			A	B	C	D	
Rigid PVC flange	DN 50	round	-	230	50	370	~ 16 cm ²
	DN 70		-	350	75	395	~ 39 cm ²
	DN 90		-	350	90	395	~ 58.6 cm ²
	DN 100		-	350	110	395	~ 87 cm ²
	DN 125		-	350	125	395	~ 113 cm ²
	DN 150		-	350	160	395	~ 188 cm ²
Bituminous membrane	DN 50		470	230	50	370	~ 16 cm ²
	DN 70		470	350	75	395	~ 39 cm ²
	DN 90		470	350	90	395	~ 58.6 cm ²
	DN 100		470	350	110	395	~ 87 cm ²
	DN 125		470	350	125	395	~ 113 cm ²
	DN 150		470	350	160	395	~ 188 cm ²
PVC/PVC roof sheeting	DN 200	square	-	475	200	400	~ 298 cm ²
	DN 250		-	475	250	400	~ 471 cm ²
	DN 300		-	475	315	400	~ 754 cm ²
	DN 400		-	645	400	560	~ 1,212 cm ²
	DN 500		-	745	500	560	~ 1,850 cm ²
Bituminous membrane	DN 200		675	475	200	400	~ 298 cm ²
	DN 250		675	475	250	400	~ 471 cm ²
	DN 300		675	475	315	400	~ 754 cm ²
	DN 400		845	645	400	560	~ 1,212 cm ²
	DN 500		945	745	500	560	~ 1,850 cm ²

cm²: Vent cross-section

Dimensions in mm