



FLECK Flat roof base element with integrated backflow seal



PRODUCT INFORMATION

Flat roof base elements with integrated backflow seal are suitable for push-fit connection pipes in DN 70, DN 100, DN 125 and DN 150. The internal backflow seal is already fitted on the production side. Vents, drains and goosenecks can simply be installed directly without gluing. Available with flange collar made of bituminous membrane.

Suitable for FLECK DN 70–DN 150

- 4-in-1 flat roof vent
- Flat roof-roof terminal
- Flat roof-ventilator
- Flat roof drains
- Flat roof gullies
- Flat roof-emergency roof overflows in the surface
- Goosenecks

Material

- All components are made of highly weather-resistant, durable special rigid PVC
- Flange thickness: 4 mm
- Incl. backflow seal

Construction material (fire reaction) class

B2 as per DIN 4102

Note

- For outside and inside diameters and wall thicknesses, please refer to the **pipe table (see QR code)**
- Core holes must be at least 20 mm larger than the selected pipe diameter
- The connection element does not have to be glued with this base element with backflow seal, the connection element is simply inserted into the base element and seals securely
- Mechanically and professionally fix base elements to the ceiling

Note on bitumen connection on PVC flange*.

Optimum bonding is achieved by professionally priming the flange with a suitable bitumen primer.

Note on PVC roofing sheet on PVC flange*.

The professional bonding of PVC roofing sheets to the rigid PVC flange is carried out using a hot air gun or a solvent welding agent (different, depending on the membrane).



Pipe table data sheet

fleck-dach.de/en/services/downloads/

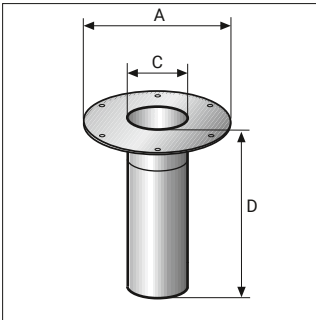
* connections made on site



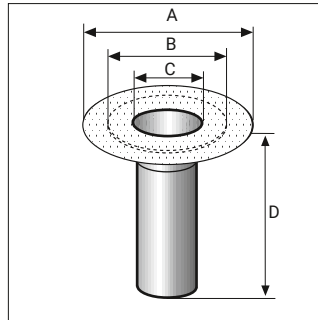


TECHNICAL NOTES

PVC



Bitumen



Material	Nominal diameter	Flange- or collar form	Dimensions (mm)				Vent cross-section (cm ²)
			A	B	C	D	
Rigid PVC flange	DN 70	round	-	350	75	395	~ 39 cm ²
	DN 100		-	350	110	395	~ 87 cm ²
	DN 125		-	350	125	395	~ 113 cm ²
	DN 150		-	350	160	395	~ 188 cm ²
Bituminous membrane	DN 70		470	350	75	395	~ 39 cm ²
	DN 100		470	350	110	395	~ 87 cm ²
	DN 125		470	350	125	395	~ 113 cm ²
	DN 150		470	350	160	395	~ 188 cm ²

cm²: Vent cross-section

Dimensions in mm

