



FLECK Shrinkable flat roof all-purpose feedthrough

PRODUCT INFORMATION



The shrinkable flat roof all-purpose passage by FLECK is suitable for round and angular individual penetrations, e.g. of cables or lines. When heated with a hot air blower, the heat-shrink sleeve coated with hot melt adhesive on the inside contracts and the hot melt adhesive ensures a permanent, watertight connection after shrinkage has been carried out professionally (always from bottom to top).

Material

- The main components of the all-purpose feedthrough are made of highly weather-resistant, durable special rigid PVC
- Heat-shrink sleeve made of UV- and weather-resistant polyolefin and with a hot melt adhesive inner coating

Construction material (fire reaction) class

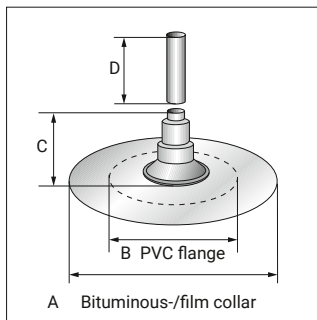
PVC flange: B2 as per DIN 4102

Accessories

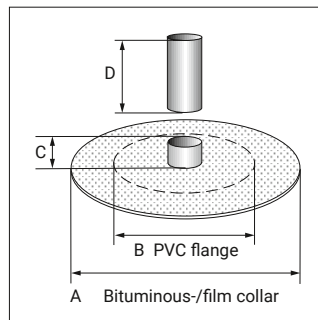
Heat-shrink sleeve with a delivery length of approx. 165 mm. Also available in other lengths for gravel and green roofs.

TECHNICAL NOTES

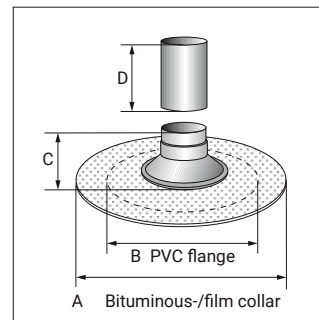
Shrink dimension 18–22



Shrink dimension 42–66



Shrink dimension 88–110



Material	Shrink dimension	Dimensions (mm)			
		A	B	C	D
Rigid PVC flange	18–22	–	250	95	170
	42–66	–	250	45	170
	88–110	–	250	105	170
PVC roof sheeting, bituminous membrane	18–22	470	250	95	170
	42–66	470	250	45	170
	88–110	470	250	105	170
PVC roof sheeting, PIB-film pressed	18–22	470	300	180	170
	42–66	470	300	120	170
	88–110	470	300	120	170

Dimensions in mm



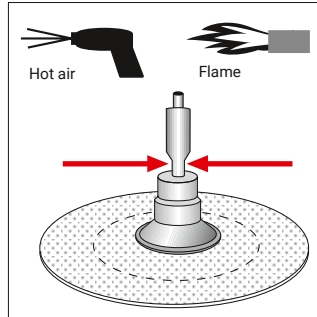


TECHNICAL NOTES

Shrink dimensions

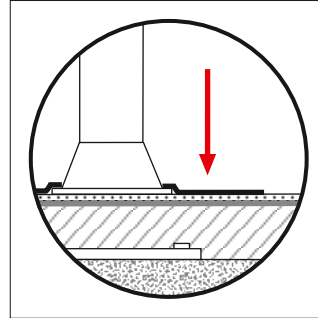
PVC-passage Inside Ø	Hose shrink- able to diameter
18	8
22	12
42	22
55	42
66	55
88	66
110	88

Dimensions in mm



First shrink the heat-shrink sleeve evenly and completely onto the flange socket at the bottom. Then shrink the heat-shrink sleeve evenly from the bottom to the top of the round or square feedthrough object, making sure that the hot melt adhesive comes out visibly.

Roof sheeting connections



Bring suitable roof sheeting up to the flange socket and connect them properly.