



FLECK Shrinkable flat roof all-purpose feedthrough angled



PRODUCT INFORMATION

The shrinkable flat roof all-purpose passage by FLECK is suitable for round and square individual penetrations, e.g. of cables or lines. When heated with a hot air blower, the heat-shrink sleeve coated with hot melt adhesive on the inside contracts and the hot melt adhesive ensures a permanent, watertight connection after shrinkage has been carried out professionally (always from bottom to top).

Material

- The main components of the all-purpose angled feedthrough are made of highly weather-resistant, durable special rigid PVC
- Heat-shrink sleeve made of UV- and weather-resistant polyolefin and with a hot melt adhesive inner coating

Construction material (fire reaction) class

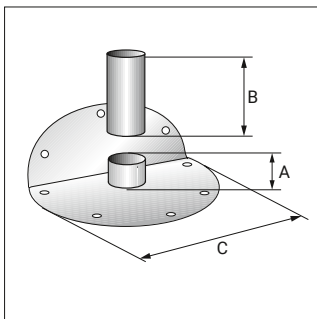
PVC flange: B2 as per DIN 4102

Accessories

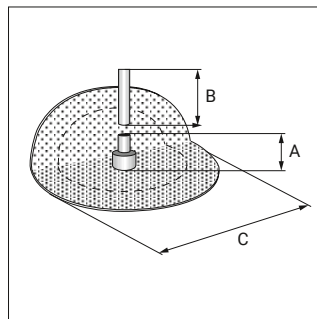
Heat-shrink sleeve

TECHNICAL NOTES

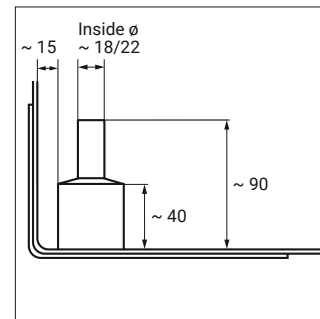
PVC flange



Flange collar made of bituminous membrane



Dimensions in mm



Cross-section illustration.
See table for dimensions.

Material	Shrink dimension	Dimensions (mm)		
		A	B	C
Rigid PVC flange	18–22	95	170	250
	42–66	45	170	250
Bituminous membrane	18–22	95	170	250
	42–66	45	170	250

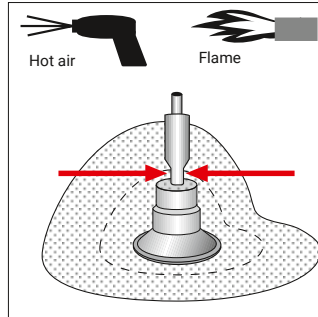


TECHNICAL NOTES

Shrink dimensions

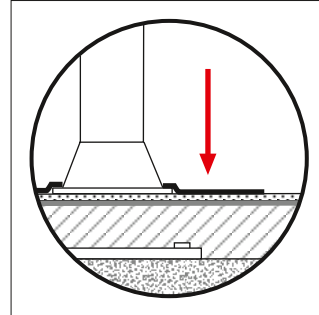
PVC-passage Inside ø	Hose shrink- able to diameter
18	8
22	12
42	22
55	42
66	55

Dimensions in mm



First shrink the heat-shrink sleeve evenly and completely onto the flange socket at the bottom. Then shrink the heat-shrink sleeve evenly from the bottom to the top of the round or square feedthrough object, making sure that the hot melt adhesive comes out visibly.

Roof sheeting connections



Bring suitable roof sheeting up to the flange socket and connect them properly.