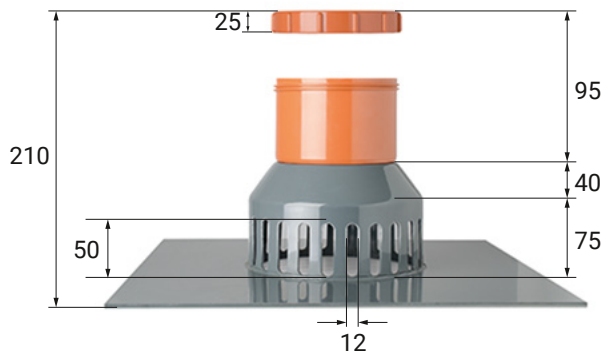




# FLECK Green roof duct



Dimensions in mm

## PRODUCT INFORMATION

The FLECK green roof duct is a flat roof drain control device for green roofs. It is mounted over drains and gullies up to DN 150 and supplied together with a screw-on sealing cap for quick inspection or maintenance of the drains.

### Material

- All components are made of highly weather-resistant, durable special rigid PVC
- Material thickness PVC flange collar: 4 mm

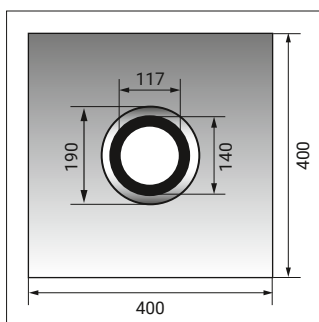
### Accessories

Removable weather cap

### Note

The inspection opening chamber replaces a gravel trap or screen on green roofs, is placed loosely over the drainage points and secured against slipping by a gravel weighting or drainage layer.

## TECHNICAL NOTES



Dimensions in mm