



# FLECK Inspection opening chamber for terraces DN 125



## PRODUCT INFORMATION

Inspection opening chamber with flange plate made of rigid PVC and flange collar made of bituminous membrane for terrace coverings with particularly low overall height. Watertight and with cap that can be unscrewed to check the vapour retarder level for possible water penetration. An inserted insulation core made of expanded polystyrene (EPS) fills the chamber when closed. The insulation core can be removed for visual inspection. To locate a built-over inspection opening chamber, the supplied position plaque (see left) is visibly attached to the façade or terrace covering using a long-term adhesive construction adhesive (not included in the scope of delivery).

### Material

- The main components are made of highly weather-resistant, durable special rigid PVC
- Insulation core made of expanded polystyrene with a thermal conductivity of 0.04 W/mK (WLG\* 040)

### Construction material class

B2 as per DIN 4102



The position plaque should be visibly attached to the façade or terrace covering.



### Installation instructions

[fleck-dach.de/en/services/downloads/](https://fleck-dach.de/en/services/downloads/)

\* WLG describes the thermal conductivity group of a building (insulation) material.

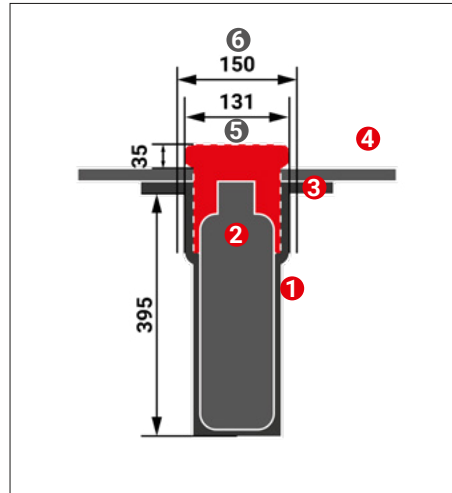
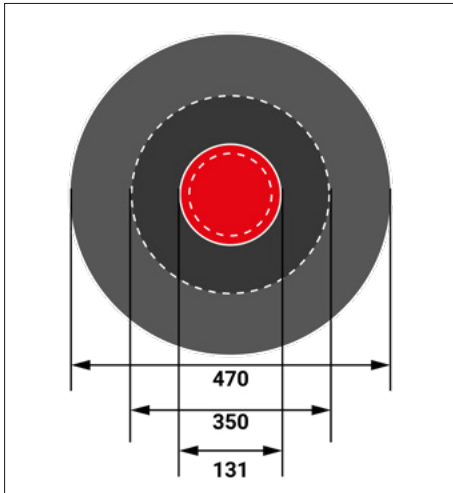


INSTITUT FÜR  
FLACHDACHBAU UND  
BAUWERKSABDICHTUNG





## TECHNICAL NOTES



### Simple individualisation:

The lengths of the inspection chamber and the EPS core can be adjusted with common tools.

i

- 1 Inspection pipe DN 125
- 2 Removable EPS insulation core
- 3 Rigid PVC flange
- 4 Flange collar made of bituminous membrane
- 5 Watertight screw cap with seal
- 6 Core hole diameter

Dimensions in mm

