



FLECK Solar feedthrough tile



X-dimensions as per tile type

PRODUCT INFORMATION

The solar feedthrough tile is available in an extensive range of roof tiles and matching colours. It can be integrated into the existing roof in an attractive and weather-resistant manner and is intended for the pipe and cable penetration of on-roof solar systems. It is available with "click-out technology" and can thus be used for DN 50/70. Alternatively, the solar feedthrough tile is also available for DN 90.

Also available as alternative:

- Slate/shingle
- Corrugated profile 5 ~ 480 × 900 mm (small format)

Material

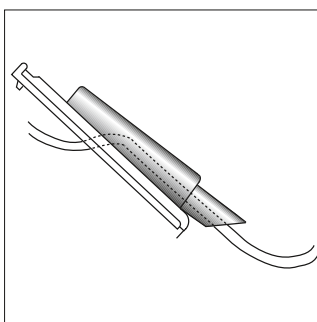
All components are made of highly weather-resistant, durable special rigid PVC.

Construction material (fire reaction) class

B2 as per DIN 4102

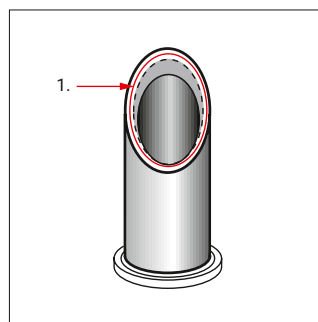
TECHNICAL NOTES

Cable penetration

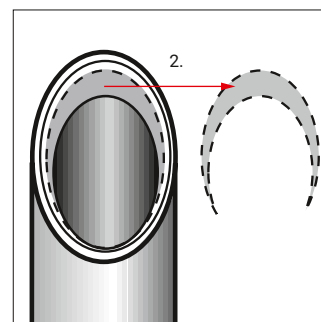


The cables to be routed are to be installed free of tension.

Conversion from DN 50 to DN 70



1. For increasing the DN 50 bushing, it is provided with a predetermined breaking point



2. Break out the plastic tapering at the predetermined breaking point and thus expand to DN 70
3. If necessary, carefully help with a cutter knife