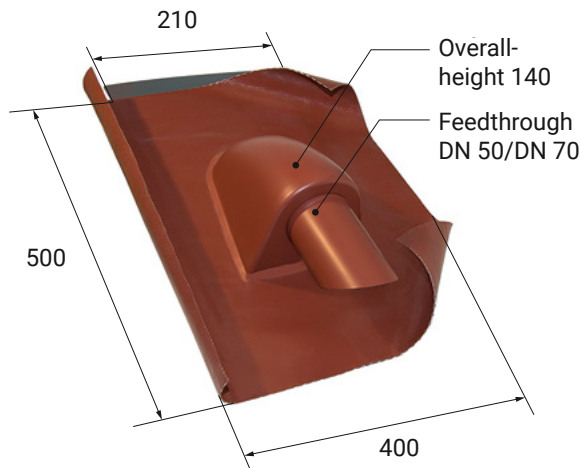




FLECK Solarflex universal feedthrough DN 50/DN 70

PRODUCT INFORMATION



Dimensions in mm

The Solarflex universal feedthrough by FLECK is the universal alternative to FLECK solar feedthrough tile. Thanks to practical click-out technology, it can be used for DN 50 as well as DN 70. Alternatively, the Solarflex universal feedthrough is also available for DN 90.

Material

- Circumferential skirt made of mouldable lead substitute
- Colours: Black, Red, Brown

Note

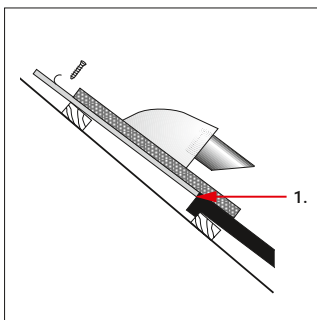
The cables to be routed are to be installed in the product free of tension. Where copper or bitumen surfaces are exposed to water, the flexible flange must be surface treated. The surface can be treated, for example, with PERFORM Extra Protection.

Construction material (fire reaction) class

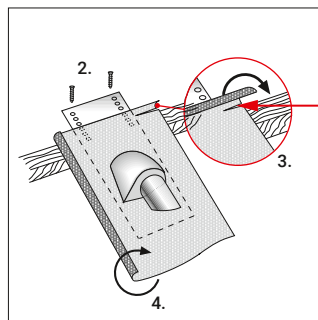
B2 as per DIN 4102

TECHNICAL NOTES

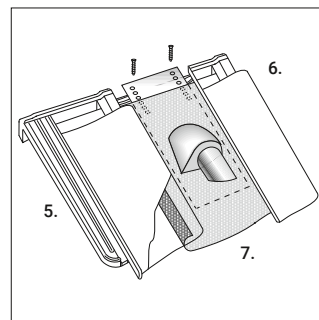
Solarflex installation instructions



1. Base plate must abut in front of the tile

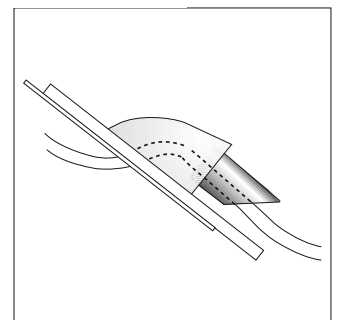


2. Drill holes in the base plate and screw in place
3. Cut horizontally above the roof batten and flange it to the front
4. Flanging the edge (water brake)



5. Place the tile on the water brake and press it on
6. Press back of tiles
7. Mould the skirt to the tile

Sample drawing

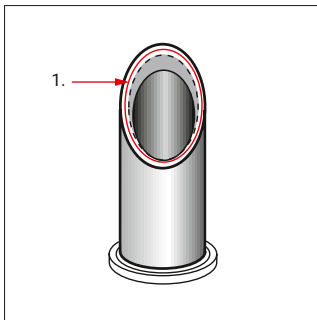


The cables to be routed must be installed free of stress.

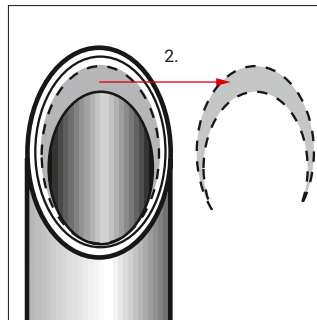


TECHNICAL NOTES

Conversion from DN 50 to DN 70



1. For increasing the DN 50 bushing, it is provided with a predetermined breaking point



2. Break out the plastic tapering at the predetermined breaking point and thus expand to DN 70
3. If necessary, carefully help with a cutter knife

