



FLECK Flexible universal hose DN 100, DN 125, DN 150

PRODUCT INFORMATION

The flexible universal hoses from FLECK fit all vent systems DN 100 to DN 150. They are available in hose lengths from 0.5 m to 1 m. The sizes DN 100 and DN 125 are supplied complete with hose clip and reducer, DN 150 is supplied with a connecting sleeve DN 150.



Material

- Flexible universal hose with integrated steel wire
- Stainless steel pipe clip
- PVC reducer or -connecting sleeve

Accessories

Hose clip

General notes

- The reducers of the hose must be shortened with suitable tools and inserted vertically (upright) into the ventilation pipes (e.g. pipe sockets)
- For safe drainage of condensate, lay the flexible hose with sufficient inclination ($> 45^\circ$)

Note on cold roof

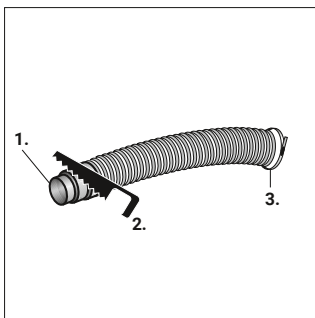
Insulation fitted by the customer around the flexible hose reduces the risk of condensation.

Construction material (fire reaction) class

B2 as per DIN 4102

TECHNICAL NOTES

Reduction to DN 70–DN 125



- Reduction to DN 70/
DN 100/DN 125
- Saw off as required
- Rust-proof hose clip

Length specifications of the hoses

Nominal diameter	Dimensions	
	Length in m	
DN 100 with reducer	0.50	1.00
DN 125 with reducer	0.50	1.00
DN 150 connecting sleeve DN 150	0.50	1.00