



# FLECK Flexible hose and accessories, individual components

## PRODUCT INFORMATION

The flexible hoses from FLECK fit all vent systems DN 100 to DN 500. They are available in hose lengths from 0.5 m.

### Material

Flexible universal hose with integrated steel wire

### Accessories

- Stainless steel pipe clip
- PVC reducer DN 100 and DN 125

### General notes

- The reducers of the hose must be shortened with suitable tools and inserted vertically (upright) into the ventilation pipes (e.g. pipe sockets)
- For safe drainage of condensate, lay the flexible hose with sufficient inclination (> 45°).

### Note on cold roof

Additional insulation fitted around the flexible hose reduces the risk of condensation.

### Construction material (fire reaction) class

B2 as per DIN 4102



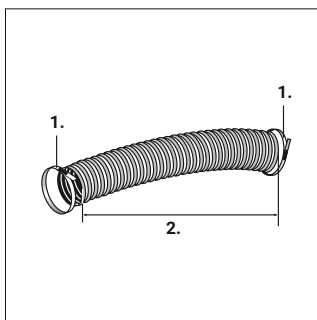
Reducers



Hose clips

## TECHNICAL NOTES

### Flexible hoses DN 150–DN 500



1. Rust-proof hose clip
2. DN 100–DN 500 available from 0.5 m length

### Length specifications of the hoses

Nominal diameter	Dimensions	
	Length in m	
DN 100	0.50	1.00
DN 125	0.50	1.00
DN 150	0.50	1.00
DN 200	0.50	1.00
DN 250	0.50	1.00
DN 300	0.50	1.00
DN 400	0.50	1.00
DN 500	0.50	1.00

