



FLECK 4 in 1 renovation socket



PRODUCT INFORMATION

The 4 in 1 renovation socket by FLECK can be screwed onto the 4 in 1 flat roof vent and has a connection outer diameter of 97 mm. It is suitable for the renovation of connection pipes with an inner diameter of less than 98 mm. Proper sealing between the renovation socket and the pipe connection to be renovated must be ensured.

Material

All components are made of highly weather-resistant, durable special rigid PVC.

Construction material (fire reaction) class

B2 as per DIN 4102

Note

To ensure optimum vapour tightness and backflow protection, the plug-in connection between the upper, connecting and lower parts must be professionally bonded with suitable adhesive or sealant. **Tip:** In case of a necessary vent renovation in connection with an additionally provided insulation level, the optionally available, especially long (500 mm) 4 in 1 renovation system pipes with backflow seal.

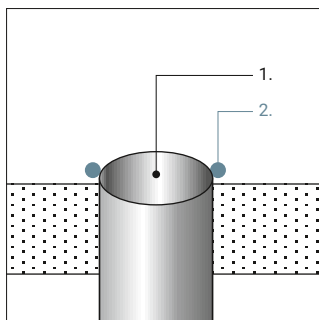


4-in-1 renovation system pipes with backflow seal

fleck-dach.de/en/produkte/4-in-1-system-pipes/

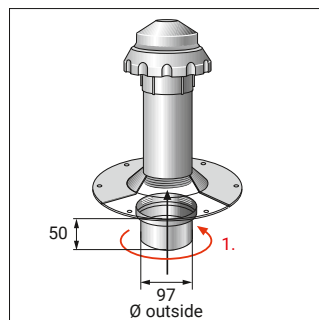
TECHNICAL NOTES

Existing pipe



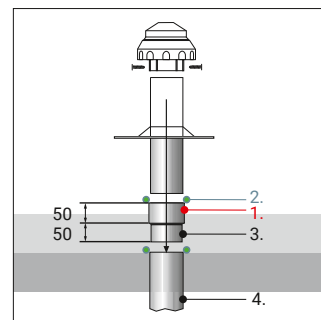
1. Existing pipe max. 98 mm inside diameter
2. Apply adhesive or sealant to the top and inside of the pipe

Renovation with 4 in 1 renovation socket



1. The renovation socket is screwed on directly and glued or sealed into the existing pipe

Rehabilitation with system pipe extension and connecting sleeve



1. Thoroughly clean DN 100 (max. 106 mm inside) or DN 125 (max. 121 mm inside) before installation
2. Glue a suitable FLECK connecting sleeve for DN 100 or DN 125 pipes into the existing pipe with a suitable PVC adhesive
3. Apply PVC adhesive in the socket and on the extension element, which may have been shortened, allow to react and permanently bond both components
4. Existing pipe 100 mm or 125 mm \varnothing inside