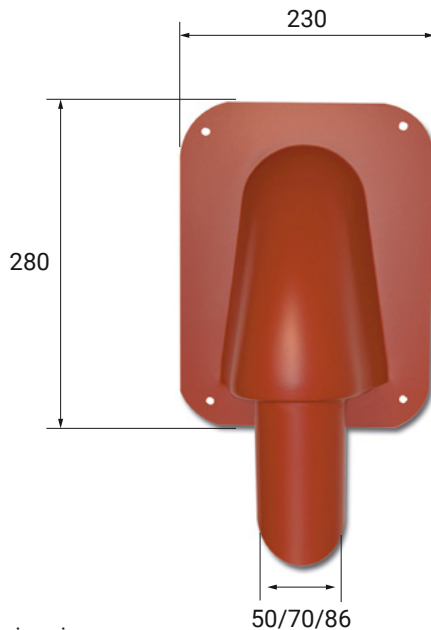




## FLECK Vertical solar chimney penetration



Dimensions in mm

### PRODUCT INFORMATION

The FLECK solar chimney penetration is used for pipe and cable penetration in disused chimney shafts. Thanks to the practical click-out technology, it can be quickly and easily extended from DN 50 to DN 70 or supplied as DN 90.

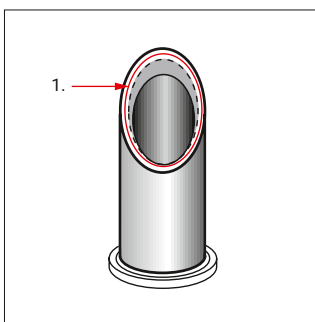
#### Material

- All components are made of highly weather-resistant, durable special rigid PVC
- Colours: Black, Red, Brown

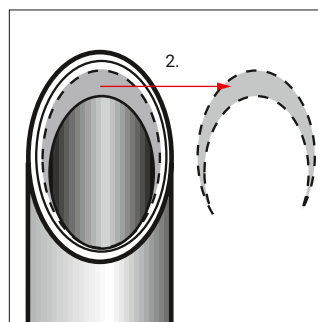
Construction material class  
B2 as per DIN 4102

### TECHNICAL NOTES

#### Conversion from DN 50 to DN 70



1. For increasing the DN 50 bushing, it is provided with a predetermined breaking point



2. Break out the plastic tapering at the predetermined breaking point and thus expand to DN 70

3. If necessary, carefully help with a cutter knife

#### Sample drawing

