



FLECK Horizontal solar chimney penetration

PRODUCT INFORMATION

Horizontal chimney penetrations are particularly suitable for the penetration of cables and insulated fluid pipes in disused chimney shafts. Thanks to the practical click-out technology, it can be quickly and easily extended from DN 50 to DN 70 or supplied as DN 90.

Material

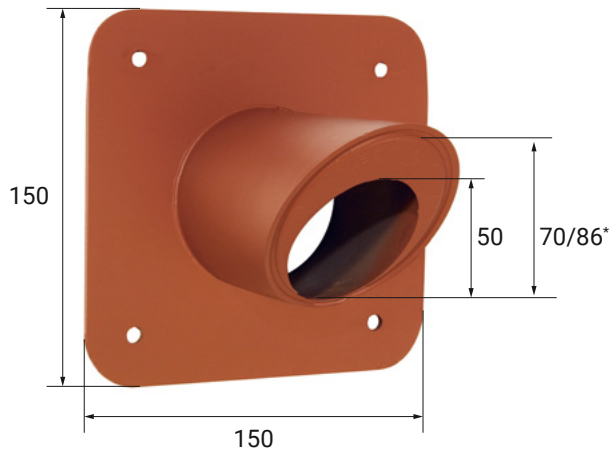
- All components are made of highly weather-resistant, durable special rigid PVC
- Colours: Black, Red, Brown

Construction material (fire reaction) class

B2 as per DIN 4102

Laying instructions

Always install solar heat lines that are sufficiently insulated and free of tension.

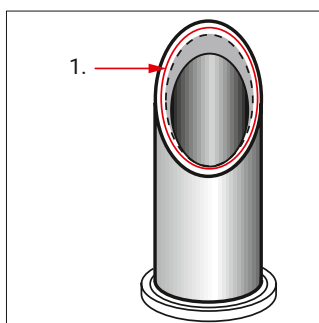


Dimensions in mm

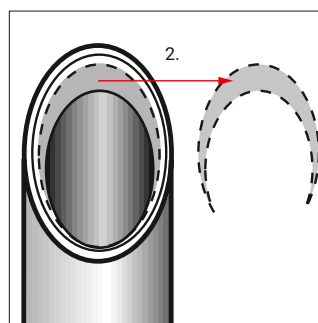
*Maximum inner diameter

TECHNICAL NOTES

Conversion from DN 50 to DN 70



1. For increasing the DN 50 bushing, it is provided with a pre-determined breaking point



2. Break out the plastic tapering at the predetermined breaking point and thus expand to DN 70
3. If necessary, carefully help with a cutter knife

Example: Cable routed free of tension

