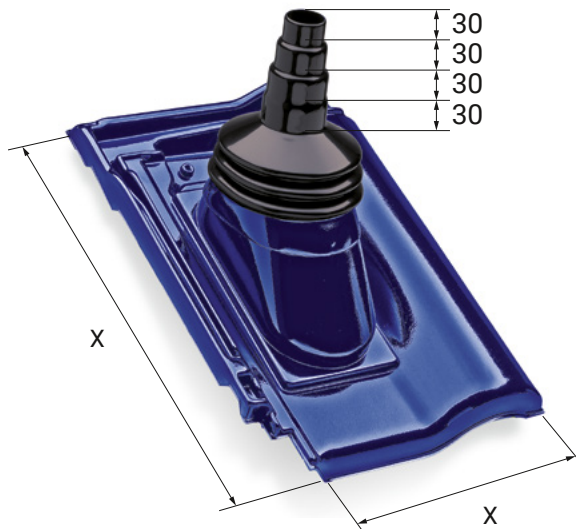




FLECK Antenna feedthrough tile, variable



X-dimensions as per tile type
Dimensions in mm

PRODUCT INFORMATION

The FLECK variable antenna feedthrough-tile has a flexible boot top in black and is suitable for use on roof pitches of up to approx. 45°. Antenna rods with a diameter of 40, 50, 60 and 75 mm can be easily carried out.

Also available as alternative:

- Slate/shingle
- Corrugated profile 5 ~ 480 × 900 mm (small format)

Material

- The tile moulding is made of highly weather-resistant, durable special rigid PVC
- Collar is made of highly weather-resistant, durable special soft PVC

Notes

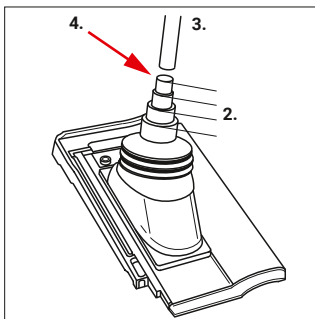
- The antenna rod to be passed through must be installed in the product free of tension and must be sealed professionally
- The stepped sleeve should always be cut to the correct diameter before the antenna is fed through to prevent overstretching and resulting damage to the sleeve

Construction material (fire reaction) class

B2 as per DIN 4102

TECHNICAL NOTES

Installation note



1. Install roof tile
2. Cut off the sleeve according to the desired diameter
3. Pass the antenna rod through and fix it to the roof structure
4. Make a professional seal between the collar and the antenna rod