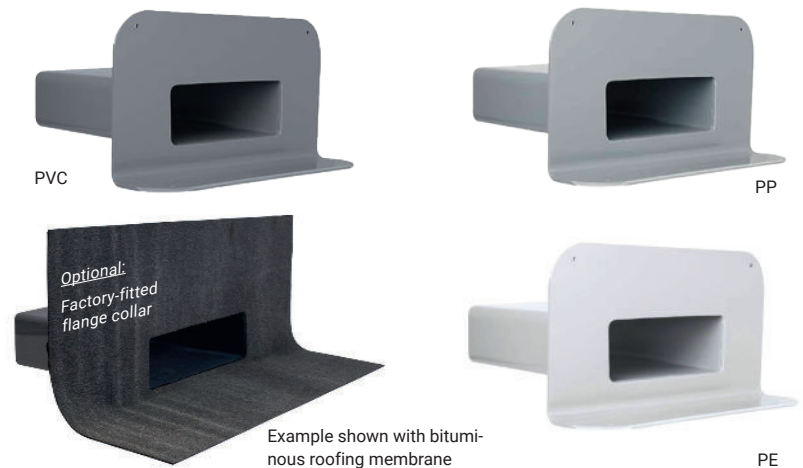


FLECK Flat Roof Rectangular Emergency Overflow GIGANT



Download Product Information
fleck-dach.de/downloads



Product Description

The FLECK Flat Roof Rectangular Emergency Overflow GIGANT provides reliable drainage during exceptionally heavy rainfall events and helps prevent structural damage caused by ponding water on roof surfaces.

Designed as an emergency drainage outlet for exposed roof areas, it safely discharges excess rainwater through a rectangular opening during extreme precipitation events. This effectively prevents structural overloading, water ingress, and damage to the roof waterproofing system.

Available in several sizes, the rectangular emergency overflow can be precisely matched to the roof drainage design and the required discharge capacity. This allows the optimum size to be selected for each individual project. The height of the factory-installed overflow weir is 35 mm as standard or can be manufactured according to customer specifications.

- Reliable emergency drainage during heavy rainfall events
- Rectangular opening for high discharge capacity
- Various dimensions available for all roof sizes
- Available with a 35 mm overflow weir or manufactured to customer specifications
- Available in PVC, PP, and PE
- Optional factory-fitted flange collars for easy installation

Application

- Installation in parapet walls of all types of flat roofs (e.g. industrial buildings, garages, residential buildings)
- Suitable for both new-build and refurbishment project

Material Specification

- Main components manufactured from weather-resistant and durable rigid PVC, Polypropylene (PP) or Polyethylene (PE)
- Material thickness: 5 mm

Fire Classification

- Building material class B2 according to DIN 4102-4

Technical Notes

- Rounded flange corners
- For factory-fitted flange collars, the width of the continuous welding flange is 100 mm
- Installation opening dimension = external dimension + 5 mm clearance on all sides (see page 2)

Optional Features / Accessories

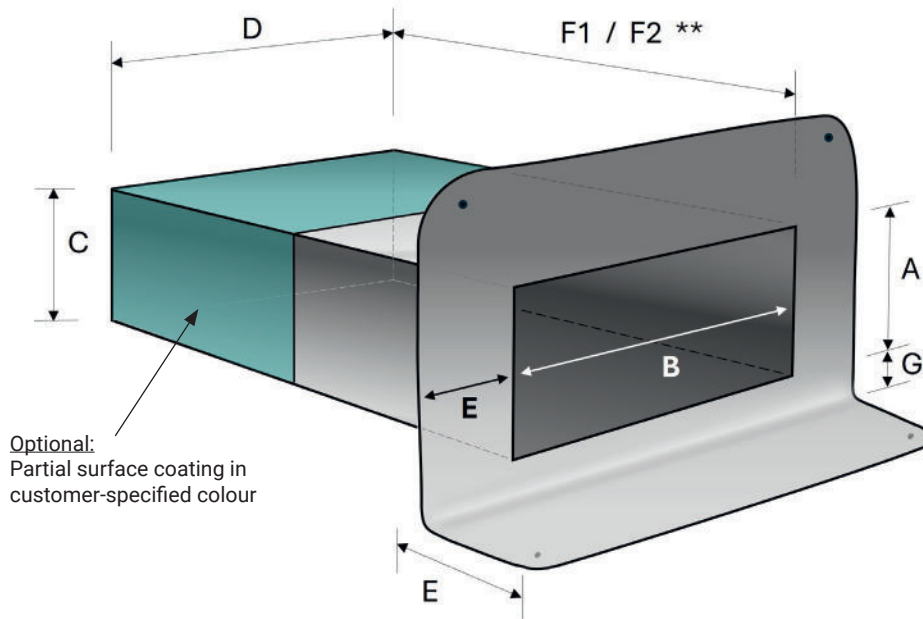
- Rigid PVC flange available with various flange collar options (refer to the current accessory overview)



Design Guide Flange Collars
<https://fleck-dach.de/service/downloads/>

- Customer-specific configurations available (outlet pipe length, outlet inclination, flange width)
- Partial surface coating in customer-specified colours available

Sketches/ Tables



Inner dimension [mm]		External dimension * [mm]		Flange [mm]	Pipe length ** [mm]		Overflow [mm]
A	B	C	D	E	F1	F2	G
75	120	85	130	80	300	500	35
75	200	85	210	80	300	500	35
100	200	110	210	80	300	500	35
100	300	110	310	80	300	500	35
100	400	110	410	80	300	500	35
100	500	110	510	80	300	500	35
100	600	110	610	80	300	500	35
100	700	110	710	80	300	500	35
100	800	110	810	80	300	500	35
100	1.000	110	1.010	80	300	500	35

* Installation opening dimension = external dimension + 5 mm clearance on all sides.

** Standard outlet pipe length is 300 mm or 500 mm, or up to 1500 mm and 10° slope as specified in the customer-specific configuration.

Notes:

The flange width "E" is 80 mm as standard or may be manufactured according to the customer-specific configuration.

The overflow head "G" is 35 mm as standard or may be manufactured according to the customer-specific configuration.